



US009254379B2

(12) **United States Patent**
Howard et al.

(10) **Patent No.:** **US 9,254,379 B2**
(45) **Date of Patent:** **Feb. 9, 2016**

(54) **SYSTEM THAT SECURES AN ELECTRODE ARRAY TO THE SPINAL CORD FOR TREATING BACK PAIN**

(71) Applicant: **University of Iowa Research Foundation**, Iowa City, IA (US)

(72) Inventors: **Matthew A. Howard**, Iowa City, IA (US); **Hiroyuki Oya**, Iowa City, IA (US); **Steve Viljoen**, North Liberty, IA (US); **Chandan G. Reddy**, Iowa City, IA (US)

(73) Assignee: **University of Iowa Research Foundation**, Iowa City, IA (US)

(*) Notice: Subject to any disclaimer, the term of this patent is extended or adjusted under 35 U.S.C. 154(b) by 0 days.

(21) Appl. No.: **14/375,781**

(22) PCT Filed: **Jan. 30, 2013**

(86) PCT No.: **PCT/US2013/023912**

§ 371 (c)(1),

(2) Date: **Jul. 30, 2014**

(87) PCT Pub. No.: **WO2013/116377**

PCT Pub. Date: **Aug. 8, 2013**

(65) **Prior Publication Data**

US 2014/0371830 A1 Dec. 18, 2014

Related U.S. Application Data

(60) Provisional application No. 61/592,515, filed on Jan. 30, 2012, provisional application No. 61/592,520, filed on Jan. 30, 2012.

(51) **Int. Cl.**

A61N 1/36 (2006.01)

A61N 1/05 (2006.01)

(52) **U.S. Cl.**

CPC **A61N 1/0558** (2013.01); **A61N 1/0553** (2013.01); **A61N 1/36071** (2013.01)

(58) **Field of Classification Search**
CPC **A61N 1/36071**; **A61N 1/0551**; **A61N 1/0553**; **A61N 1/0558**
USPC **607/46**, **117**
See application file for complete search history.

(56) **References Cited**

U.S. PATENT DOCUMENTS

3,612,061 A 10/1971 Collins et al.
3,724,467 A 4/1973 Avery et al.

(Continued)

FOREIGN PATENT DOCUMENTS

CN 101048194 A 10/2007
EP 1 048 317 A2 11/2000

(Continued)

OTHER PUBLICATIONS

Extended European Search Report for EP Application No. 11839545.8 mailed Apr. 24, 2014.

(Continued)

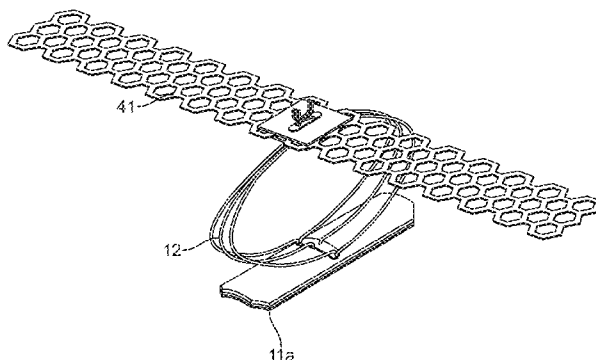
Primary Examiner — Paula J Stice

(74) *Attorney, Agent, or Firm* — Kilpatrick Townsend and Stockton LLP

(57) **ABSTRACT**

This invention provides a device for implantation directly into the spinal cord for the purpose of treating back pain. Electrodes on a backing that conforms directly to the spinal cord are installed as a source of electrical stimulation and pain relief. The electrode array is maintained on the spinal cord by way of a spring or support structure that is anchored to an anatomical structure outside the spinal cord but near the site of implantation. Suitable anchoring structures include the vertebrae and the dura. Secured in this fashion, the support structure maintains a gentle pressure of the electrode array against the spinal cord so as to stay in electrical contact but minimize injury or inflammation. The device may accommodate and buffer movement of the spinal cord both laterally and in a caudal-rostral fashion so that the electrode array remains in place.

33 Claims, 27 Drawing Sheets



(56)

References Cited

U.S. PATENT DOCUMENTS

3,822,708	A	7/1974	Zilber
4,549,556	A	10/1985	Tarjan et al.
4,590,946	A	5/1986	Loeb
4,837,049	A	6/1989	Byers et al.
6,175,769	B1	1/2001	Errico et al.
6,295,472	B1	9/2001	Rubinstein et al.
6,319,241	B1*	11/2001	King et al. 604/502
6,549,810	B1	4/2003	Leonard et al.
6,631,295	B2	10/2003	Rubinstein et al.
7,333,857	B2	2/2008	Campbell
7,337,006	B2	2/2008	Kim et al.
7,769,472	B2	8/2010	Gerber
8,170,675	B2	5/2012	Alataris et al.
8,209,021	B2	6/2012	Alataris et al.
8,255,057	B2	8/2012	Fang et al.
8,295,945	B1	10/2012	Thacker et al.
8,649,874	B2	2/2014	Alataris et al.
8,712,533	B2	4/2014	Alataris et al.
8,838,248	B2	9/2014	Walker et al.
8,892,209	B2	11/2014	Alataris et al.
2002/011660	A1	8/2002	Errico et al.
2003/0204228	A1	10/2003	Cross et al.
2004/0176831	A1	9/2004	Gliner et al.
2005/0131506	A1	6/2005	Rezai et al.
2007/0073357	A1	3/2007	Rooney et al.
2008/0234791	A1	9/2008	Arle et al.
2009/0281599	A1	11/2009	Thacker et al.
2010/0057177	A1	3/2010	Moffitt et al.
2010/0057178	A1	3/2010	Simon
2010/0063568	A1	3/2010	Staunton et al.
2010/0100165	A1	4/2010	Swanson et al.
2010/0145428	A1	6/2010	Cameron et al.
2010/0204766	A1	8/2010	Zdeblick et al.
2011/0184488	A1	7/2011	De Ridder
2011/0224755	A1	9/2011	Arle et al.
2012/0016438	A1	1/2012	Alataris et al.
2014/0128955	A1	5/2014	Howard et al.
2014/0379043	A1	12/2014	Howard
2015/0005680	A1	1/2015	Lipani

FOREIGN PATENT DOCUMENTS

WO	95/32677	A1	12/1995
WO	2006/029257	A2	3/2006
WO	2010/124139	A1	10/2010
WO	2012/065125	A1	5/2012
WO	2013/116368	A1	8/2013
WO	2013/116377	A1	8/2013

OTHER PUBLICATIONS

International Search Report and Written Opinion of the International Searching Authority mailed on Dec. 23, 2014 for PCT Patent Application No. PCT/US2014/054243, 13 pages.

Sweet, W.H. et al. (1974). "Stimulation of the Posterior Columns of the Spinal Cord for Pain Control: Indications, Technique, and Results," *Clinical Neurosurgery* 21:278-310.

International Search Report and Written Opinion for PCT Application No. PCT/US2011/060462 mailed Mar. 2, 2012.

International Search Report and Written Opinion for PCT Application No. PCT/US2013/023912 mailed Jun. 4, 2013.

International Search Report and Written Opinion for PCT Application No. PCT/US2013/023897 mailed Apr. 16, 2013.

Eldabe et al., "An Analysis of the Components of Pain, Function, and Health-Related Quality of Life in Patients with Failed Back Surgery Syndrome Treated with Spinal Cord Stimulation or Conventional Medical Management," *Neuromodulation* 13(3): 201-209 (2010).

Gibson-Corley et al., "Ovine Tests of a Novel Spinal Cord Neuromodulator and Dentate Ligament Fixation Method," *Journal of Investigative Surgery* 25(6): 366-374 (2012).

Gibson-Corley et al., "Postsurgical Pathologies Associated with Intradural Electrical Stimulation in the Central Nervous System:

Design Implications for a New Clinical Device," *BioMed Research International* 2014, Article ID No. 989175 (2014).

"Neuro Corp. Announces Publication of Positive Six-Month Clinical Data for Senza HF10 High-Frequency Spinal Cord Stimulation Therapy in Europe," *Neuro Newsroom Press Release* dated Feb. 6, 2013, downloaded from <http://www.neuro.com/neuro-corp-announces-publication-of-positive-six-month-clinical-data-for-senza-hf10-high-frequency-spinal-cord-stimulation-therapy-in-europe/> on Aug. 6, 2014.

Oliynyk et al., "Dynamic Loading Characteristics of an Intradural Spinal Cord Stimulator," *Journal of Applied Physics* 113: 026103 (2013).

Oya et al., "Soft-Coupling Suspension System for an Intradural Spinal Cord Stimulator: Biophysical Performance Characteristics," *Journal of Applied Physics* 114: 164701 (2013).

Viljoen et al., "MR-Based Measurement of Spinal Cord Motion During Flexion of the Spine: Implications for Intradural Spinal Cord Stimulator Systems," *Journal of Medical Engineering and Technology* 38(1): 1-4 (2014).

Wilson et al., "Pulsatile Spinal Cord Surrogate for Intradural Neuromodulation Studies," *Journal of Medical Engineering and Technology* 36(1): 22-25 (2012).

Supplementary EP Search Report mailed on Sep. 25, 2015 for EP Application No. 13743674.7, 5 pages.

Burton, "Safety and Clinical Efficacy of Implanted Neuroaugmentive Spinal Devices for the Relief of Pain", *Appl. Neurophysiol.* 1977-78; 40:175-83.

Flouty et al., "A new device concept for directly modulating spinal cord pathways: initial in vivo experimental results", *Physiol Meas.* Dec. 2012;33(12):2003-15.

Flouty et al., "Intracranial Somatosensory Responses with Direct Spinal Cord Stimulation in Anesthetized Sheep", *PLOS ONE*, Feb. 2013, vol. 8, e56266, pp. 1-11.

Gibson-Corley et al., "Ovine tests of a novel spinal cord neuromodulator and dentate ligament fixation method", *J Invest Surg.* Dec. 2012;25(6):366-74.

Gibson-Corley et al., "Postsurgical Pathologies Associated with Intradural Electrical Stimulation in the Central Nervous System: Design Implications for a New Clinical Device", *BioMed Research International*, vol. 2014, Article ID 989175, 10 pages.

Gildenberg PL, "Evolution of Spinal Cord Surgery for Pain", *Clinical Neurosurgery*, 2006; 53:11-7.

Howell et al., "Evaluation of Intradural Stimulation Efficiency and Selectivity in a Computational Model of Spinal Cord Stimulation", *PLoS ONE* 9(12): e114938, 1-25, Dec. 23, 2014;9 (12) :e114928.

Huang et al., "Comparison of spinal cord stimulation profiles from intra- and extradural electrode arrangements by finite element modeling", *Med Biol Eng Comput* (2014) 52:531-538.

Long, "Electrical Stimulation for the Control of Pain", *Symposium on Pain, Arch Surg.*, Jul. 1977; 112(7), 884-8.

Long, "The Current Status of Electrical Stimulation of the Nervous System for the Relief of Chronic Pain", *Surg Neurol*, Feb. 1998; 49(2); 142-4.

Mayfield Clinic & Spine Institute, "Spinal Cord Stimulation, advanced level", accessible on www.mayfieldclinic.com, 2002, 6 pages.

Oya et al., "Applier tool for intradural spinal cord implants", *J Med Eng Technol.* Apr. 2012;36(3):169-73.

Oya et al., "Spinal canal surrogate for testing intradural implants", *J Med Eng Technol.* Nov. 2012;36(8):407-10.

Safayi et al., "Biomechanical performance of an ovine model of intradural spinal cord stimulation", *J Med Eng Technol.* Jul. 2014;38(5):269-73.

Shealy et al., "Dorsal Column Electroanalgesia", *J. Neurosurg.*, May 1970;32(5), 560-4.

Song et al., "Power and signal transmission protocol for a contactless subdural spinal cord stimulation device", *Biomed Microdevices.* Feb. 2013;15(1):27-36.

Viljoen et al., "Apparatus for simulating dynamic interactions between the spinal cord and soft-coupled intradural implants", *Rev Sci Instrum.* Nov. 2013;84(11):114303.

(56)

References Cited

OTHER PUBLICATIONS

Viljoen et al., "MR-based measurement of spinal cord motion during flexion of the spine: implications for intradural spinal cord stimulator systems", J Med Eng Technol. Jan. 2014;38(1):1-4.

Wilson et al., "Pulsatile spinal cord surrogate for intradural neuromodulation studies", J Med Eng Technol. Jan. 2012;36(1):22-5.

* cited by examiner

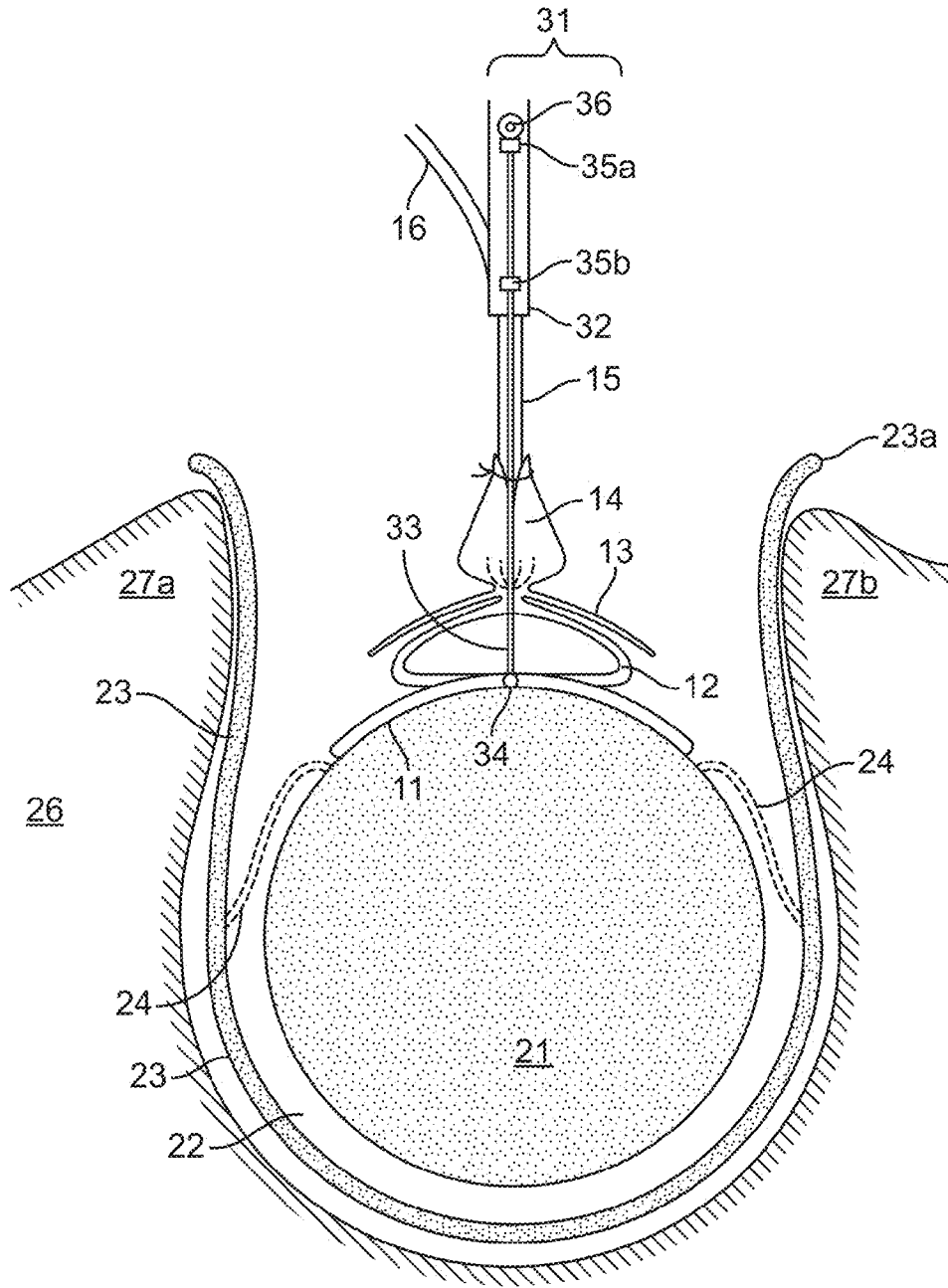


FIG. 1A

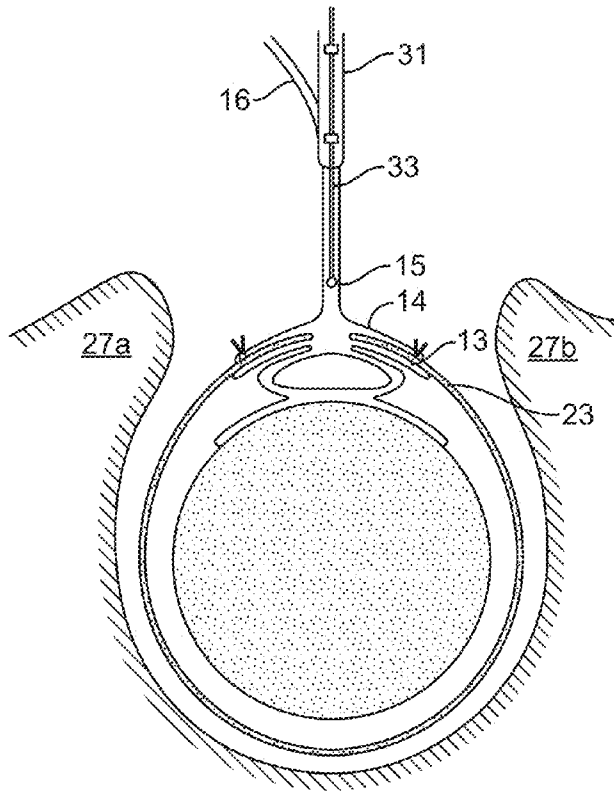


FIG. 1B

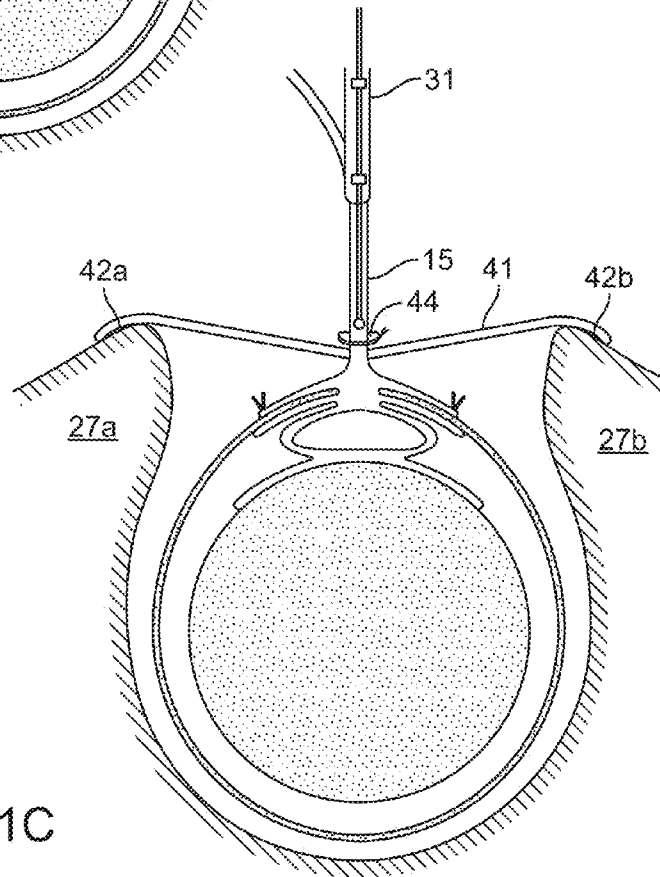


FIG. 1C

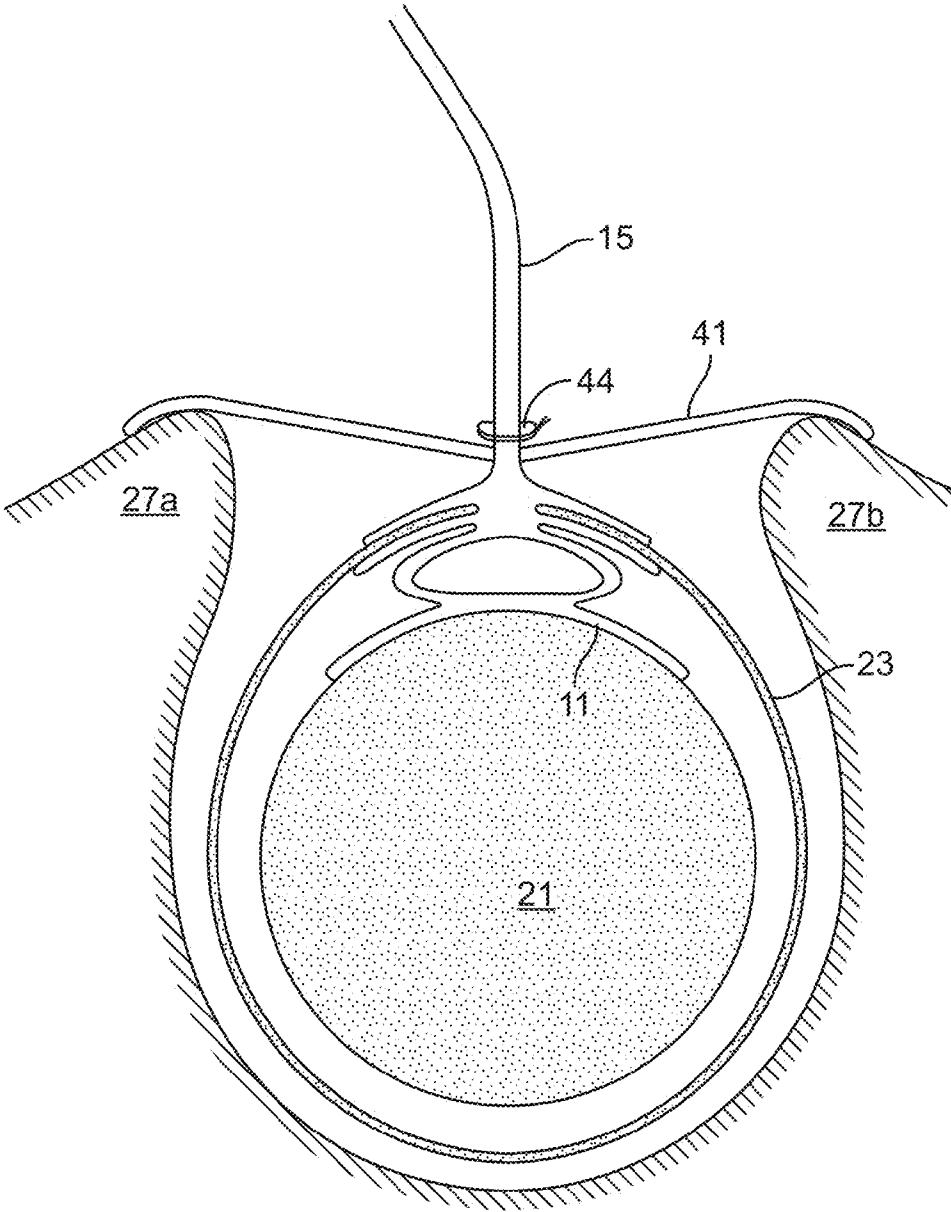


FIG. 1D

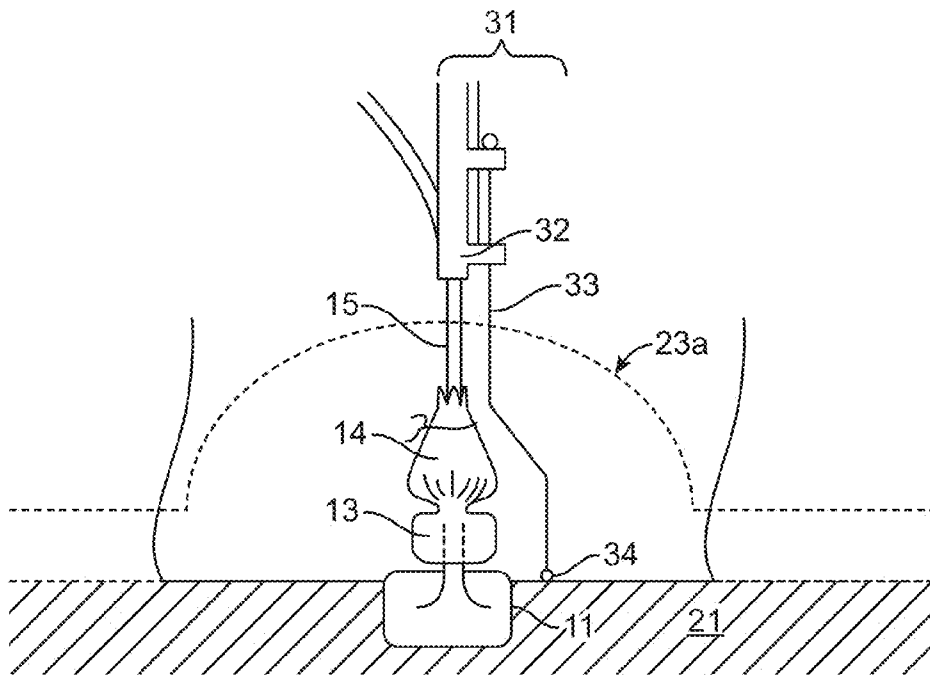


FIG. 2A

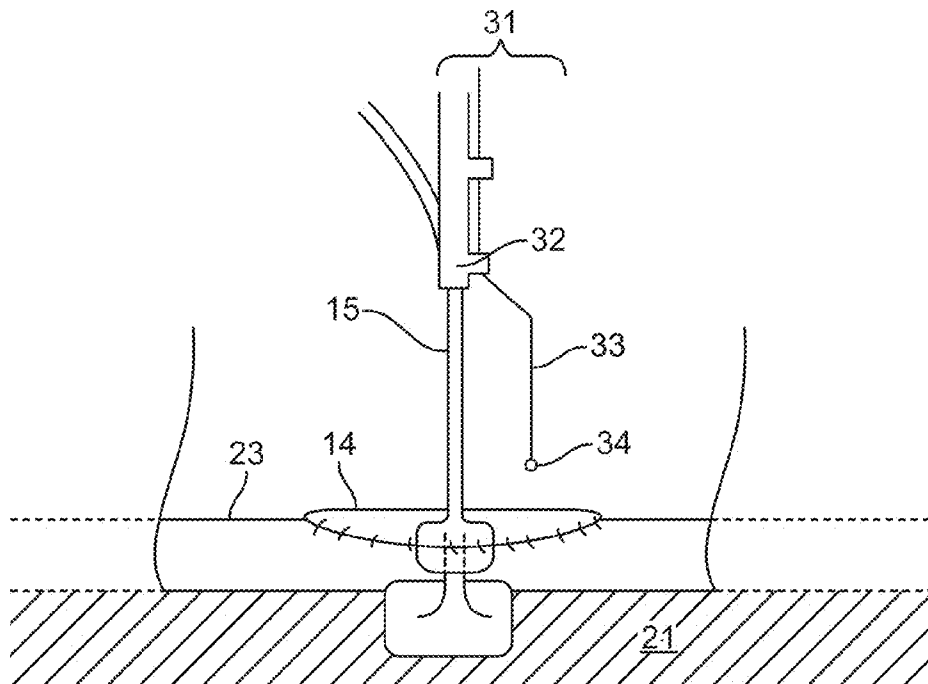


FIG. 2B

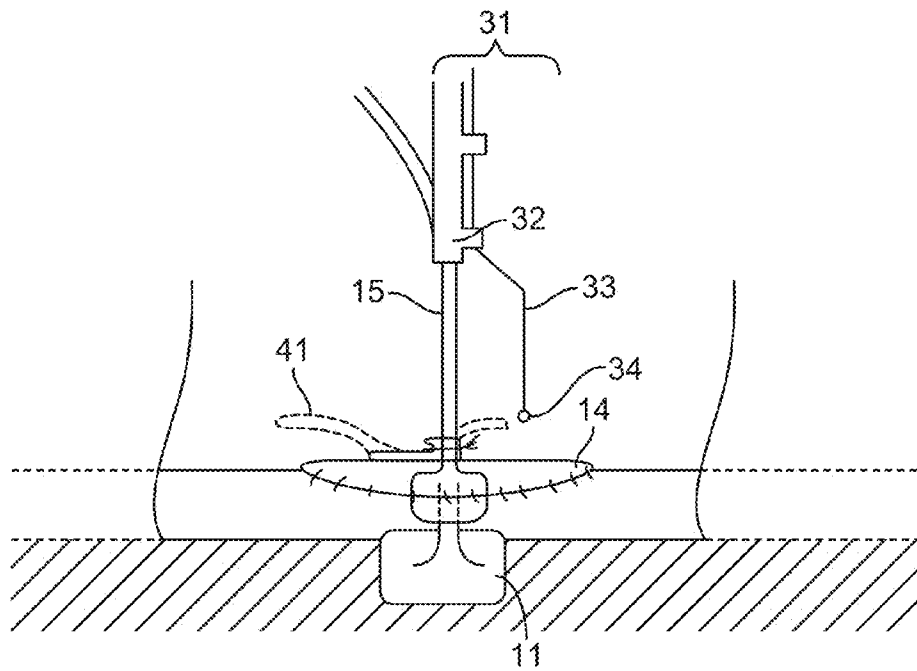


FIG. 2C

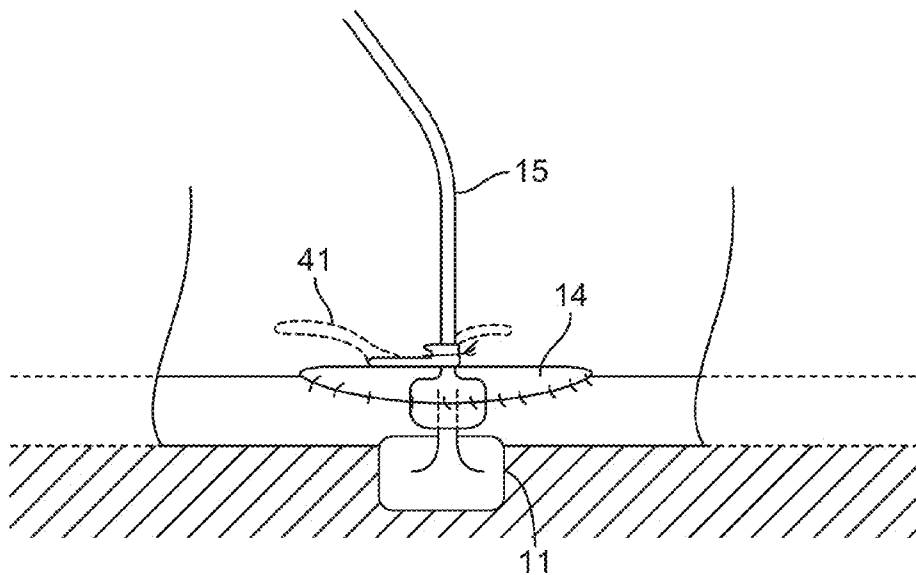


FIG. 2D

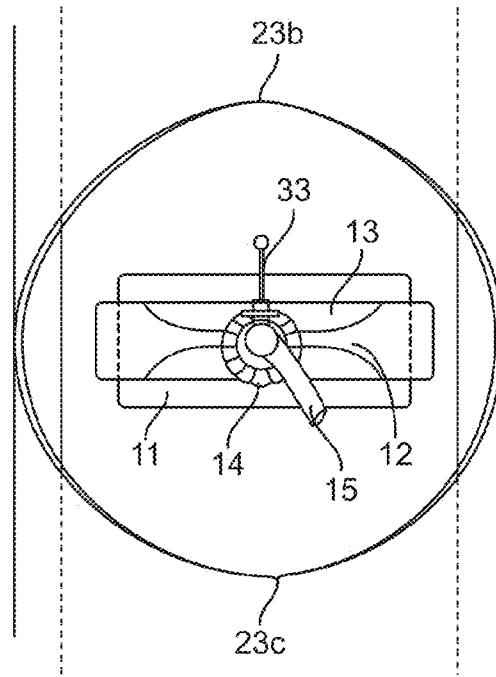


FIG. 3A

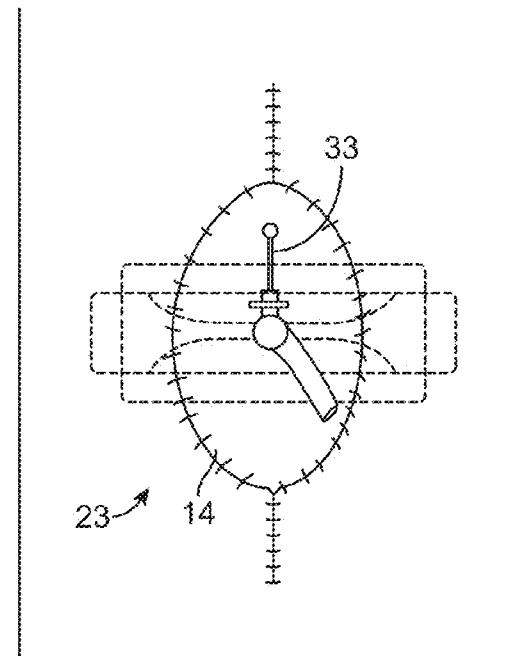


FIG. 3B

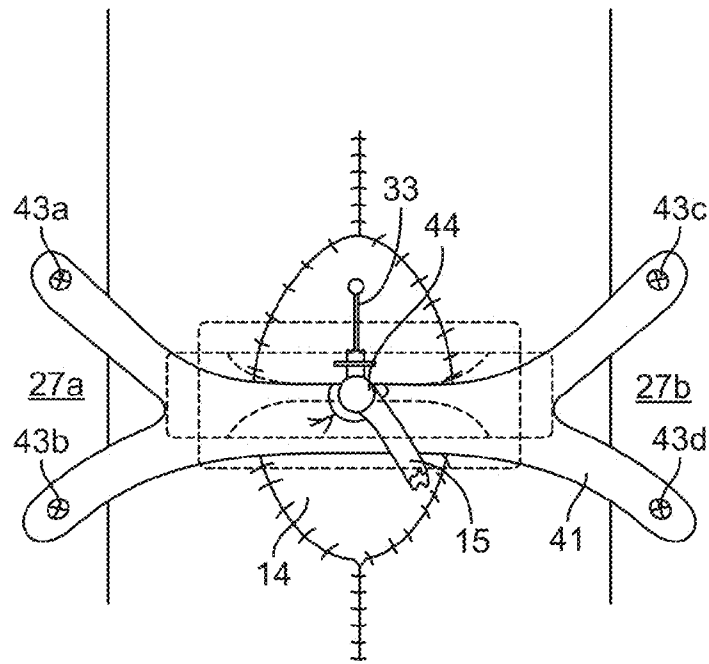


FIG. 3C

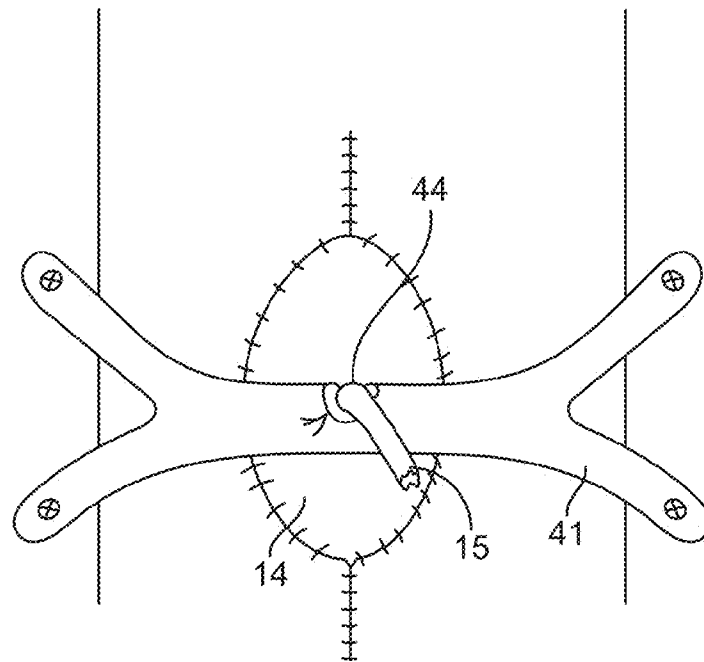


FIG. 3D

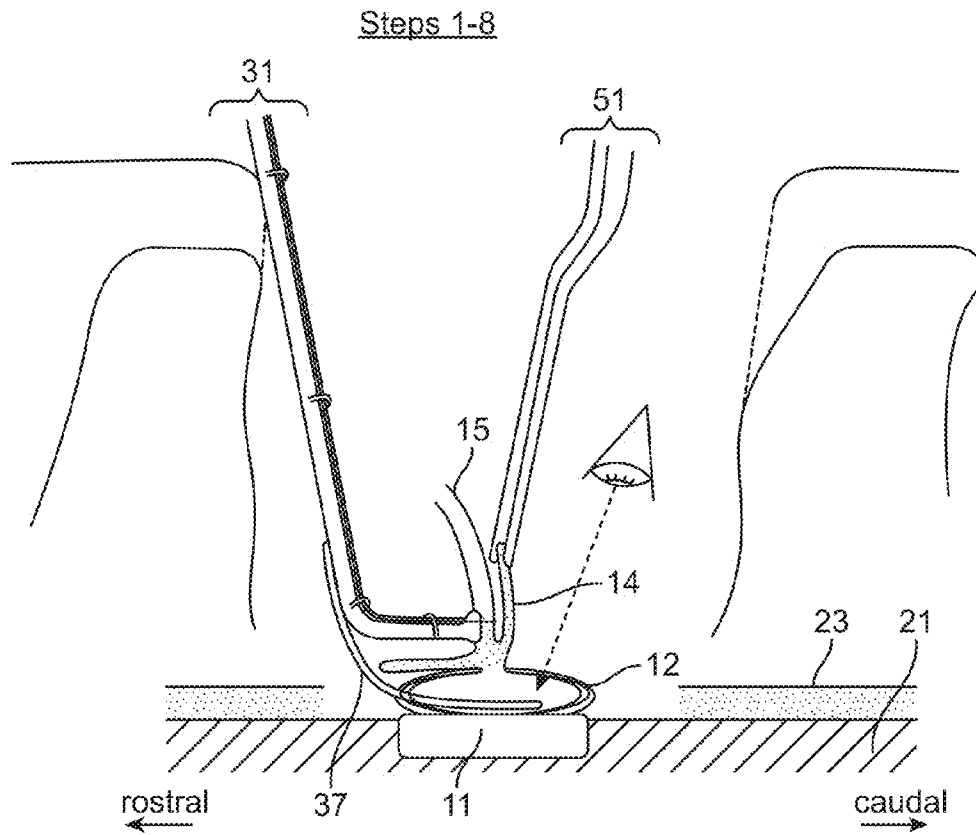


FIG. 4A

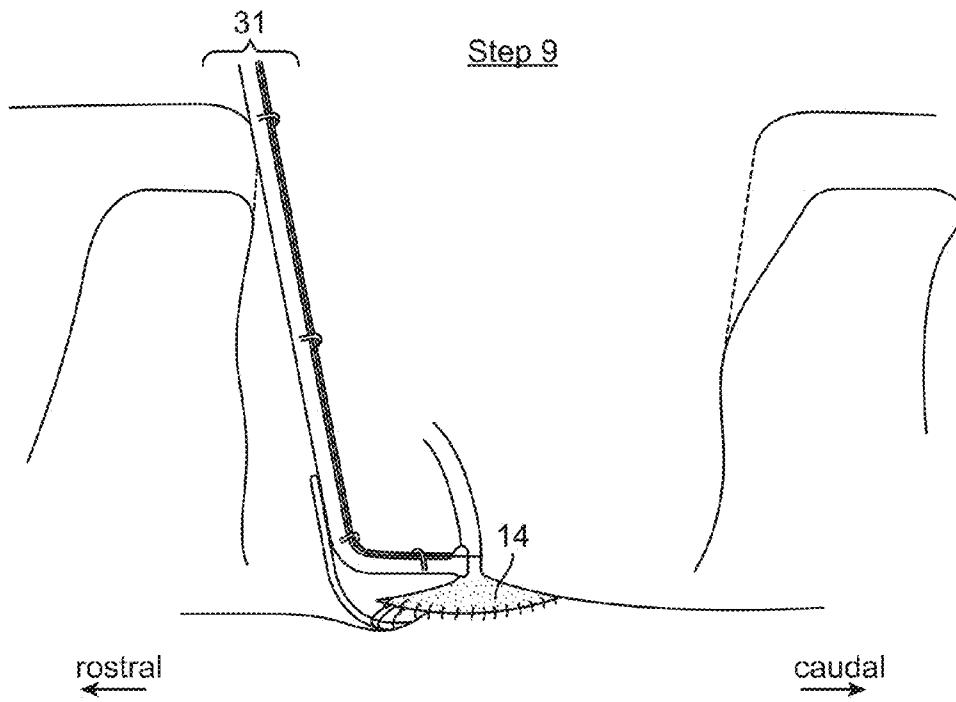


FIG. 4B

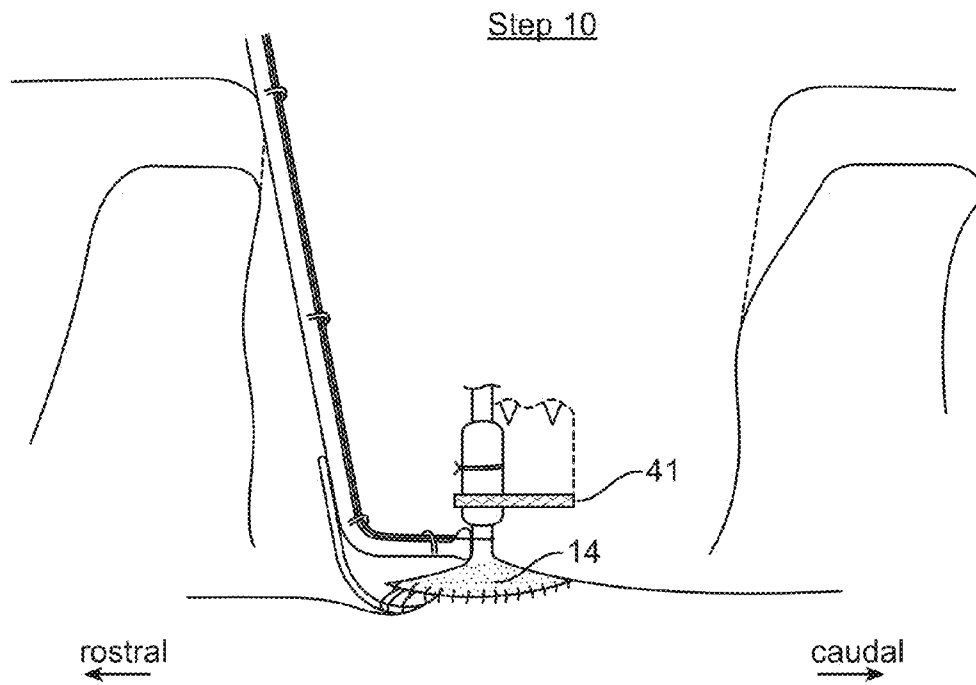


FIG. 4C

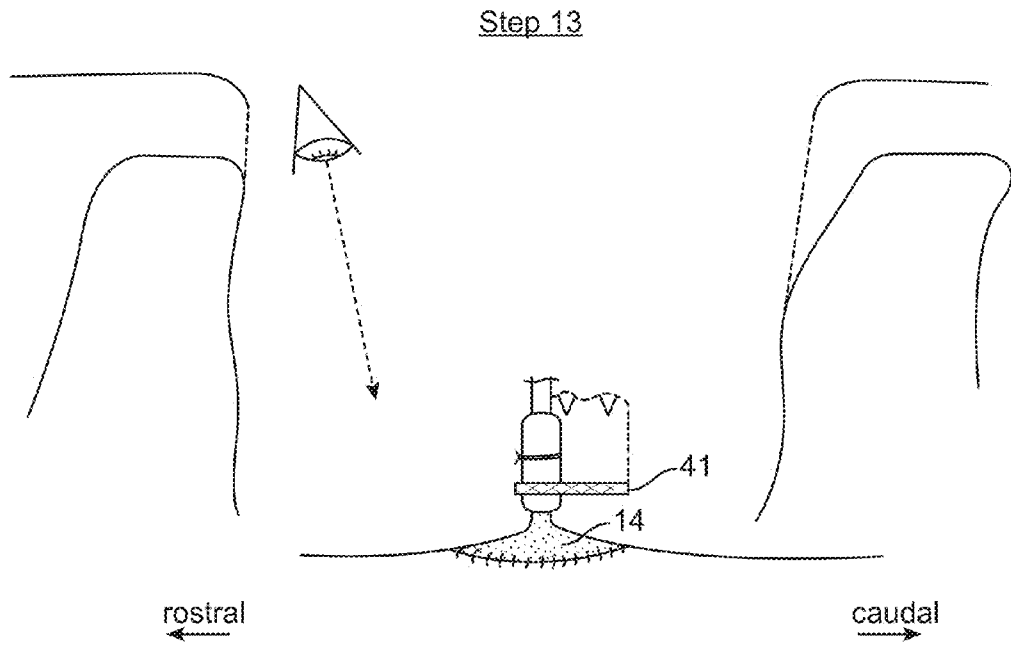


FIG. 4E

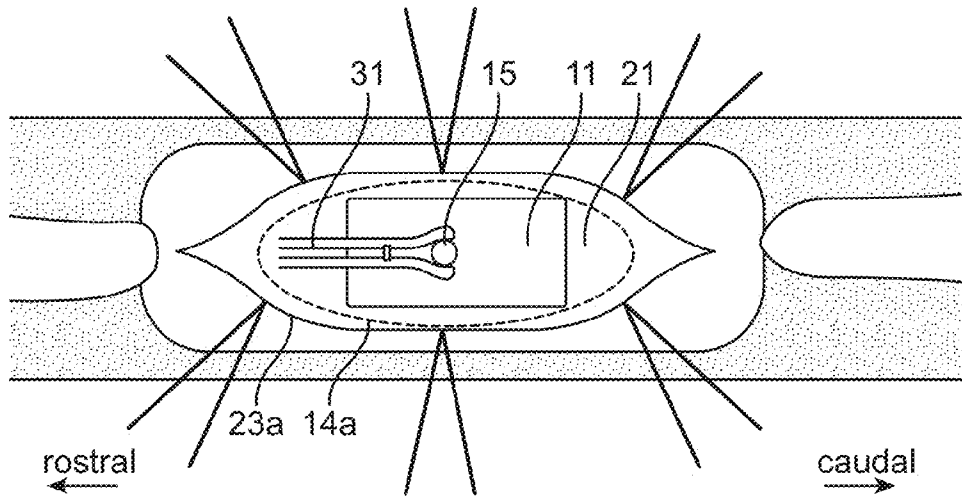


FIG. 5A

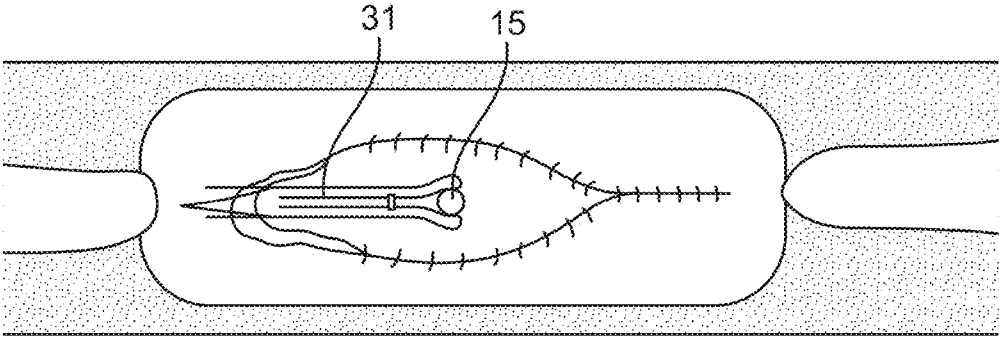


FIG. 5B

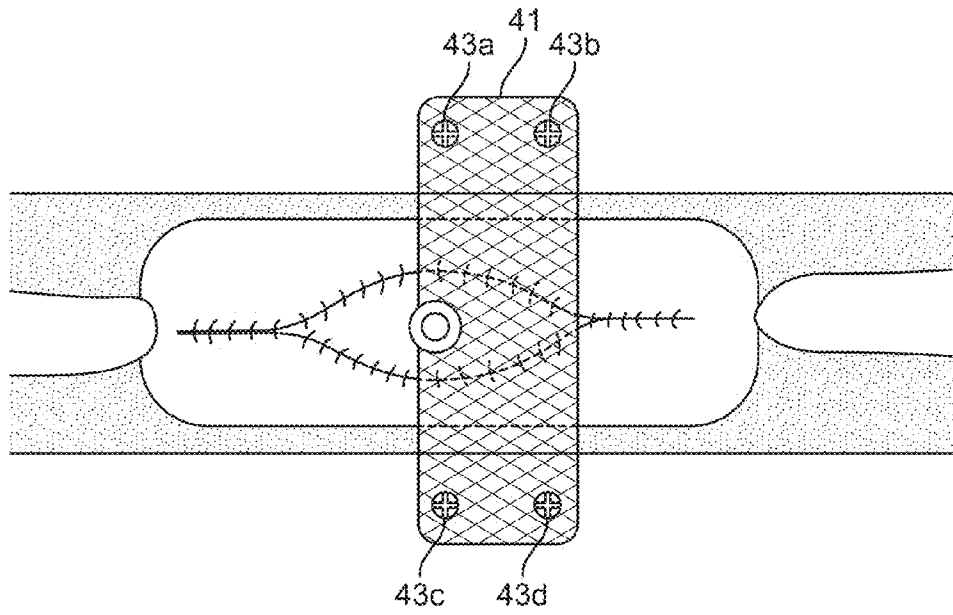


FIG. 5C

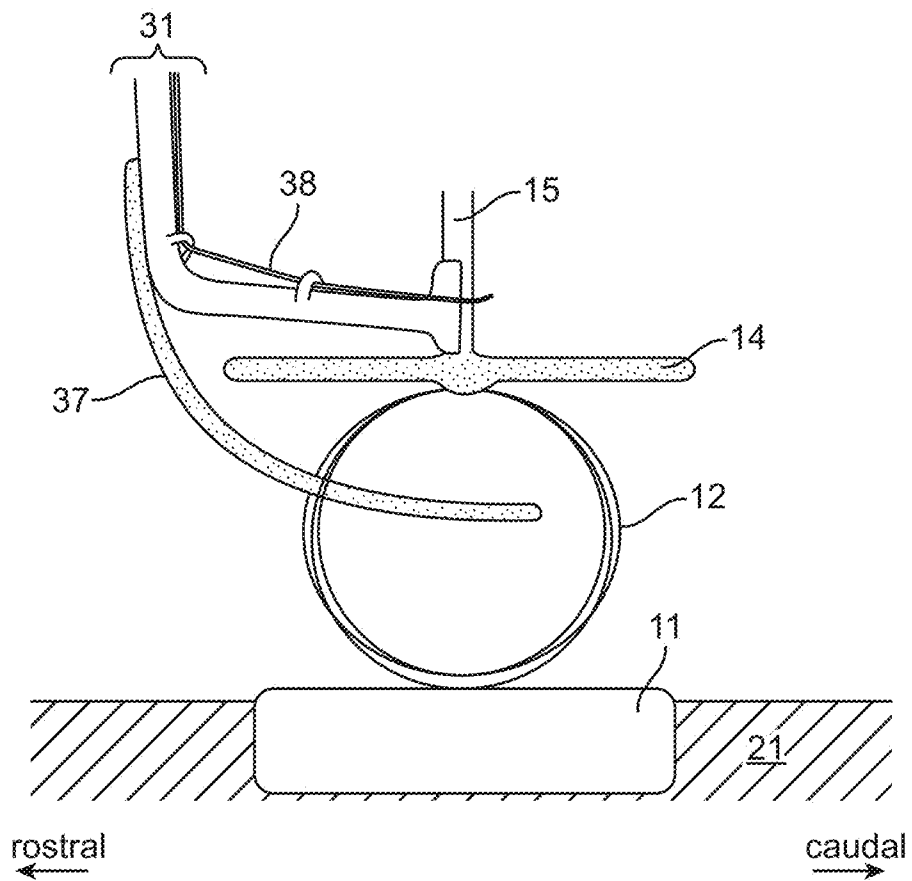


FIG. 6A

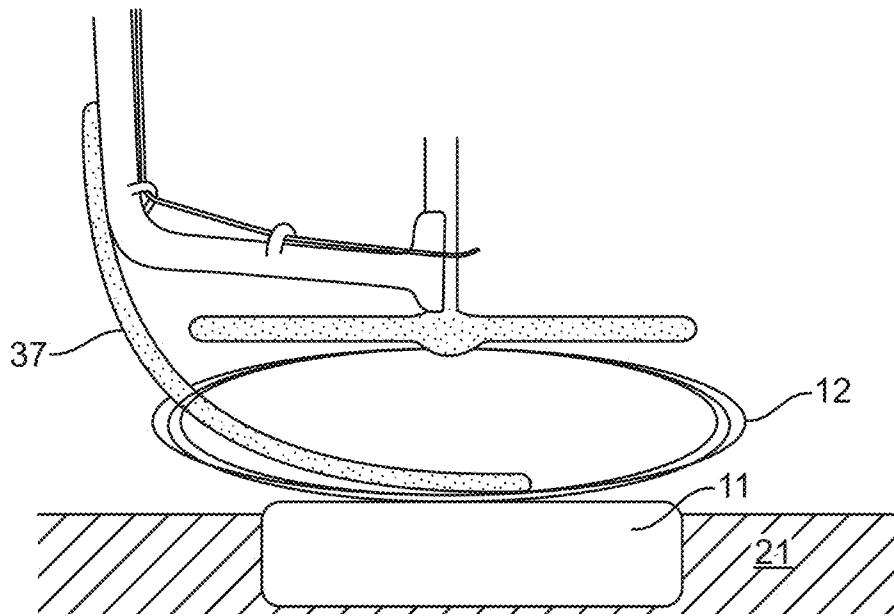


FIG. 6B

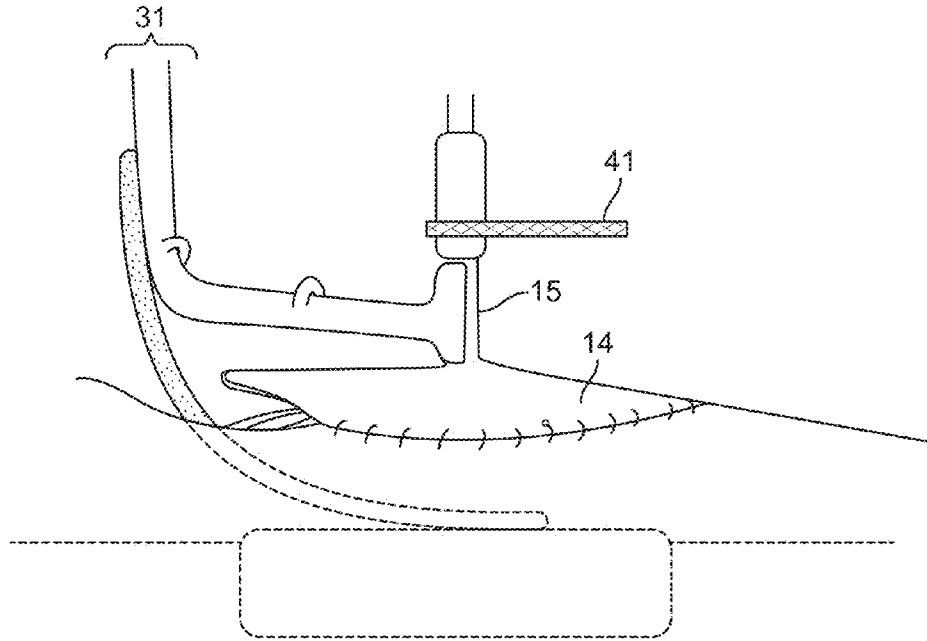


FIG. 6C

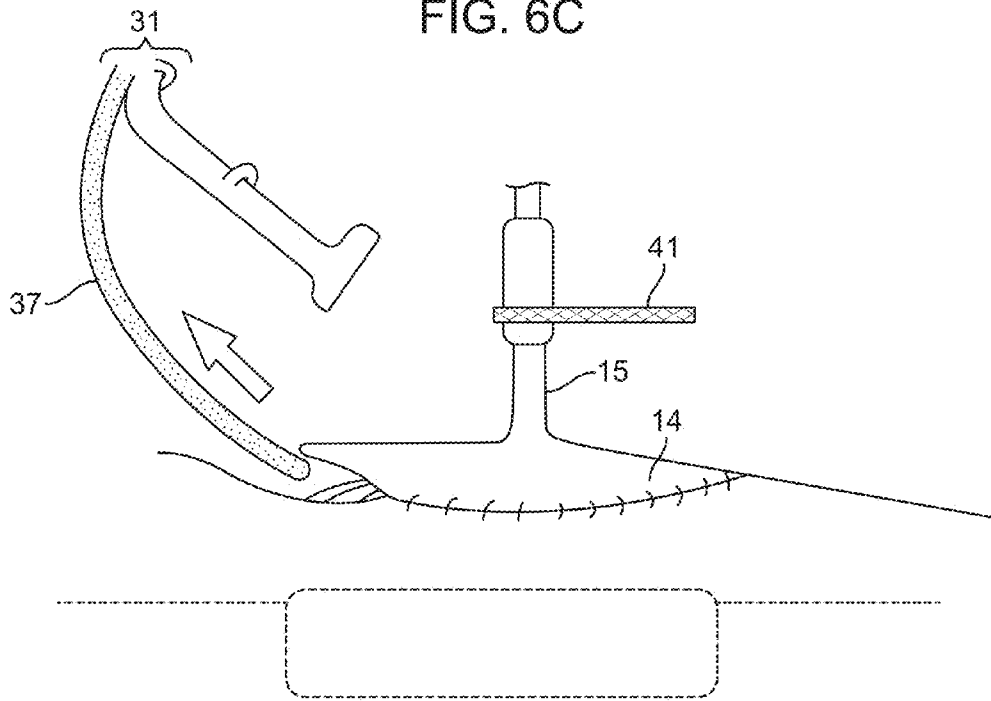


FIG. 6D

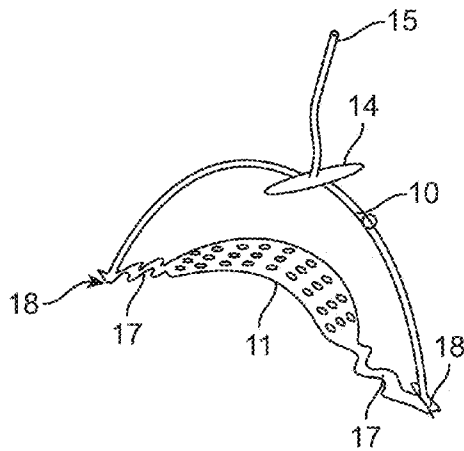


FIG. 7A

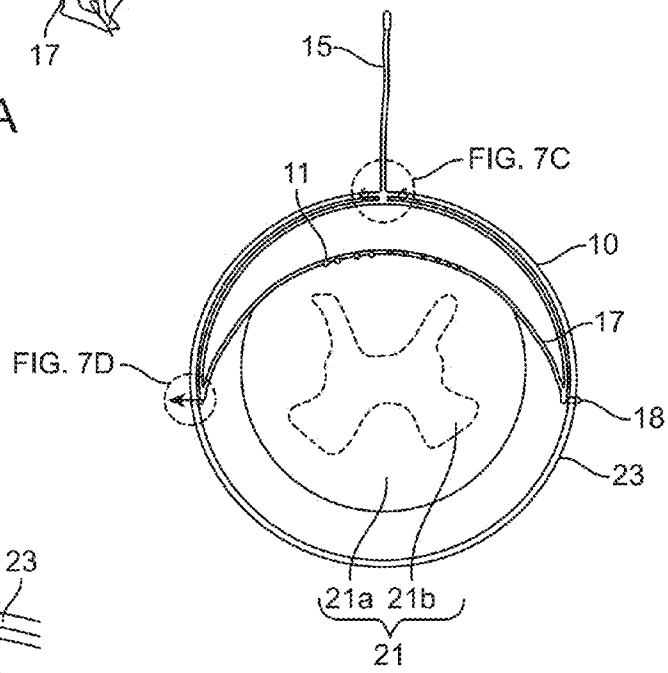


FIG. 7B

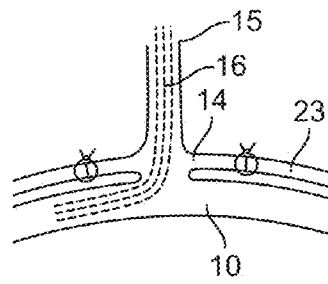


FIG. 7C

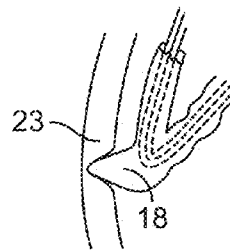


FIG. 7D

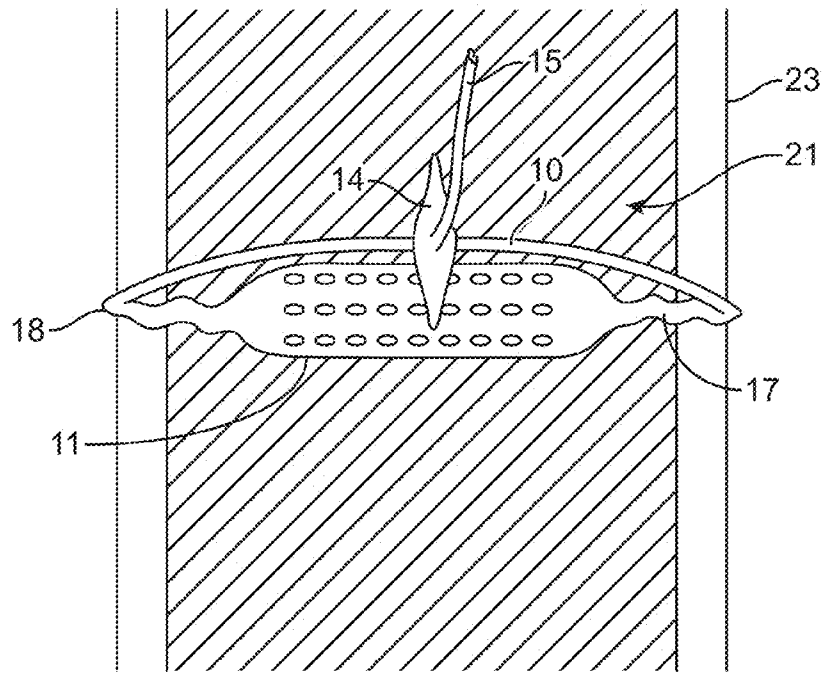


FIG. 8A

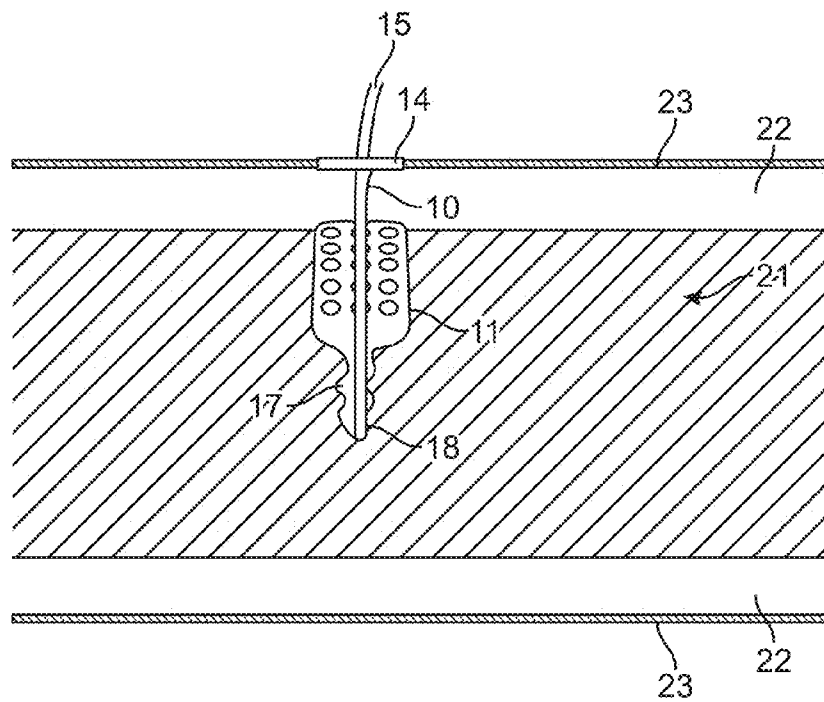


FIG. 8B

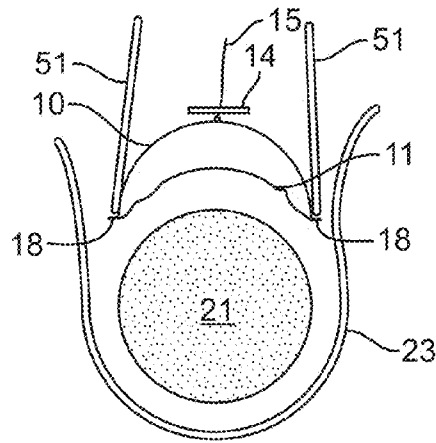


FIG. 9A

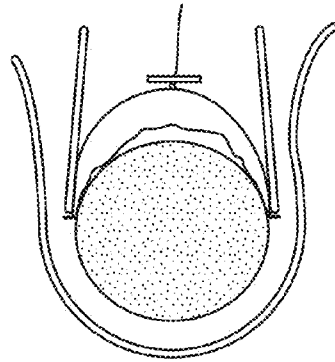


FIG. 9B

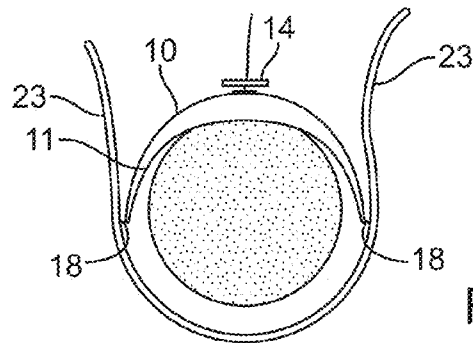


FIG. 9C

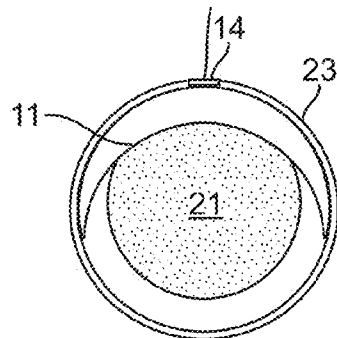


FIG. 9D

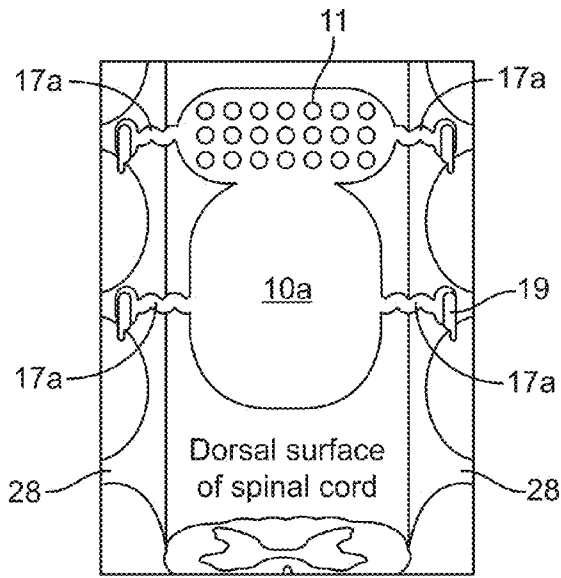


FIG. 10A

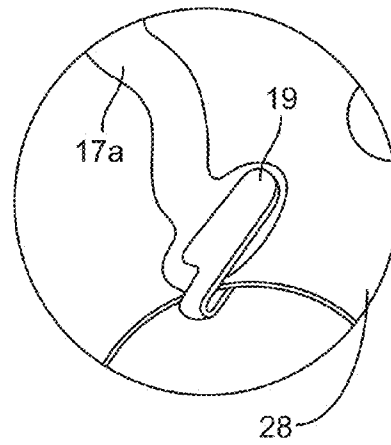


FIG. 10B

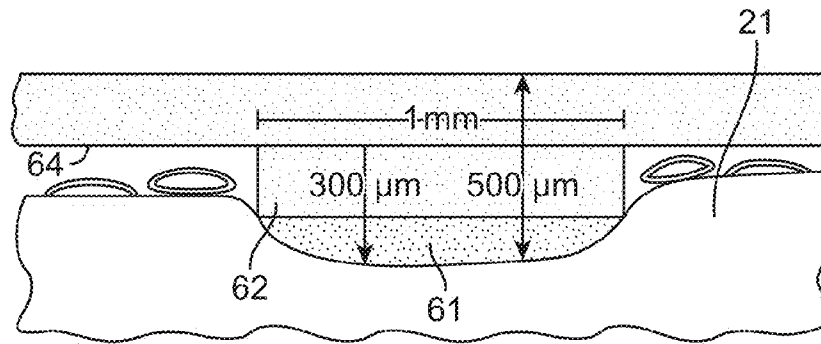


FIG. 11A

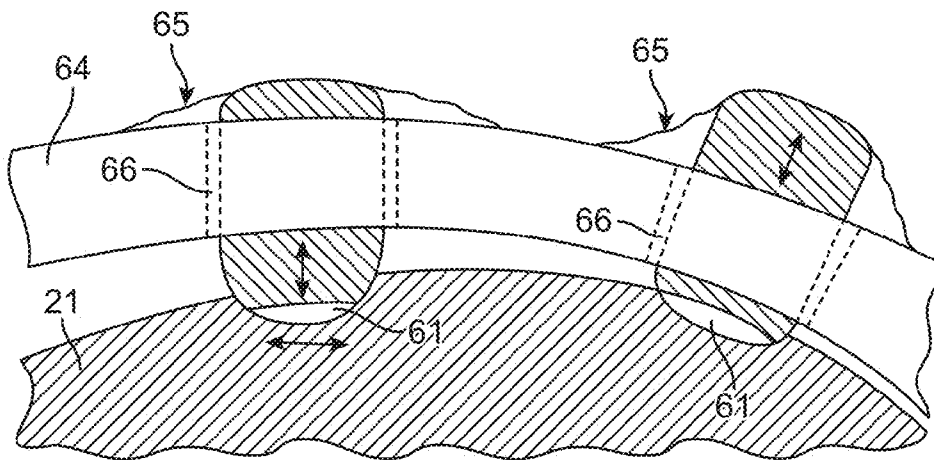


FIG. 11B

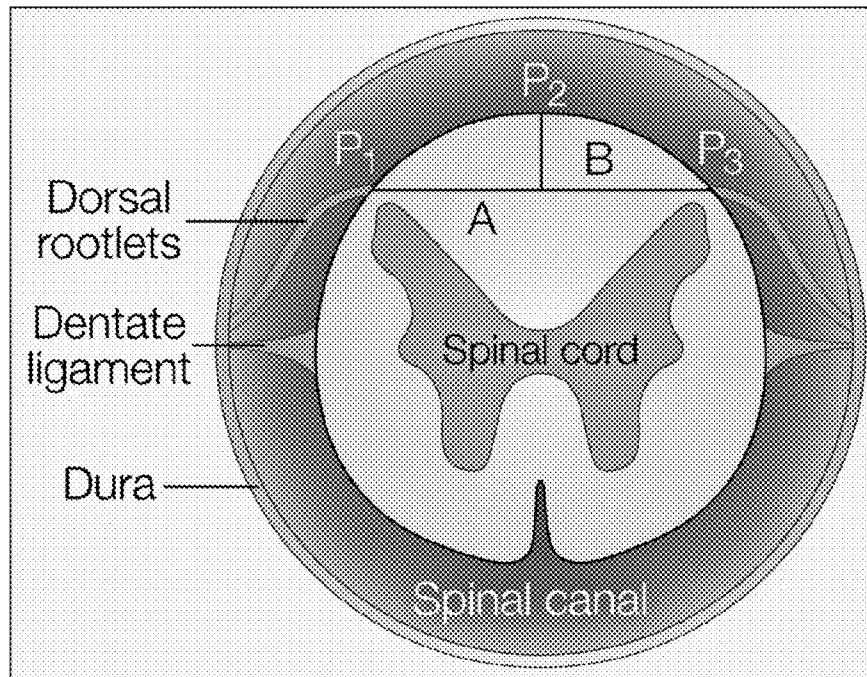


FIG. 12A

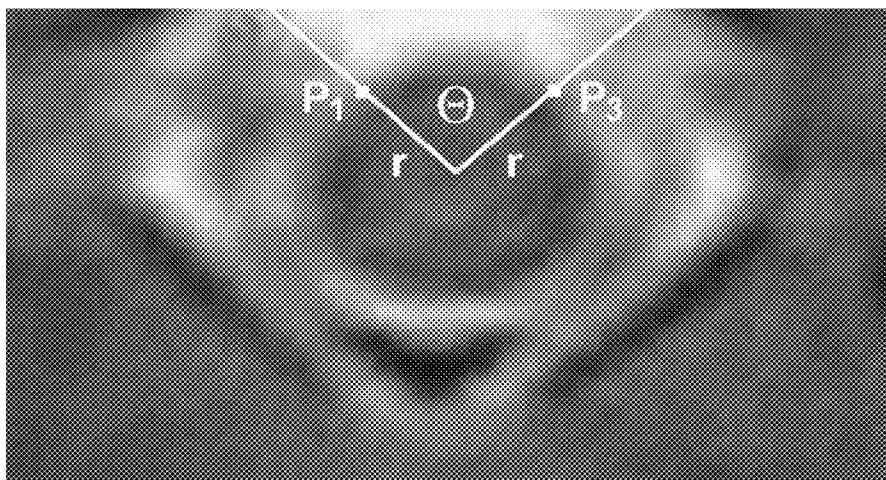


FIG. 12B



FIG. 13A

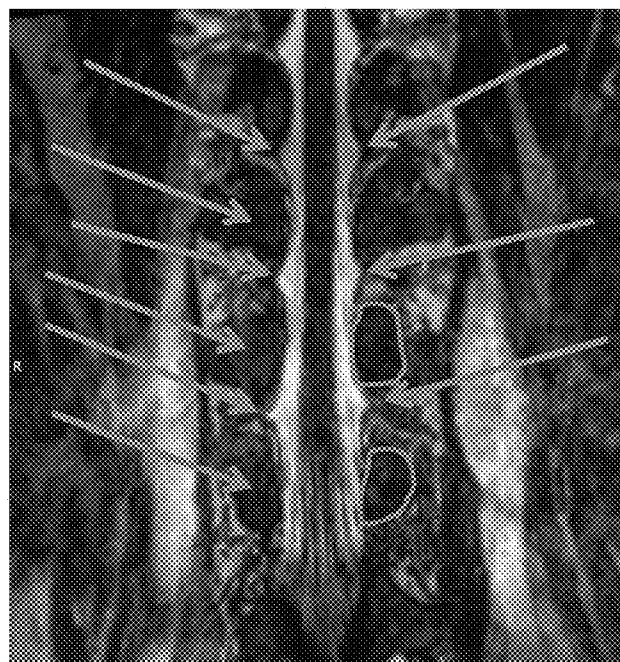


FIG. 13B

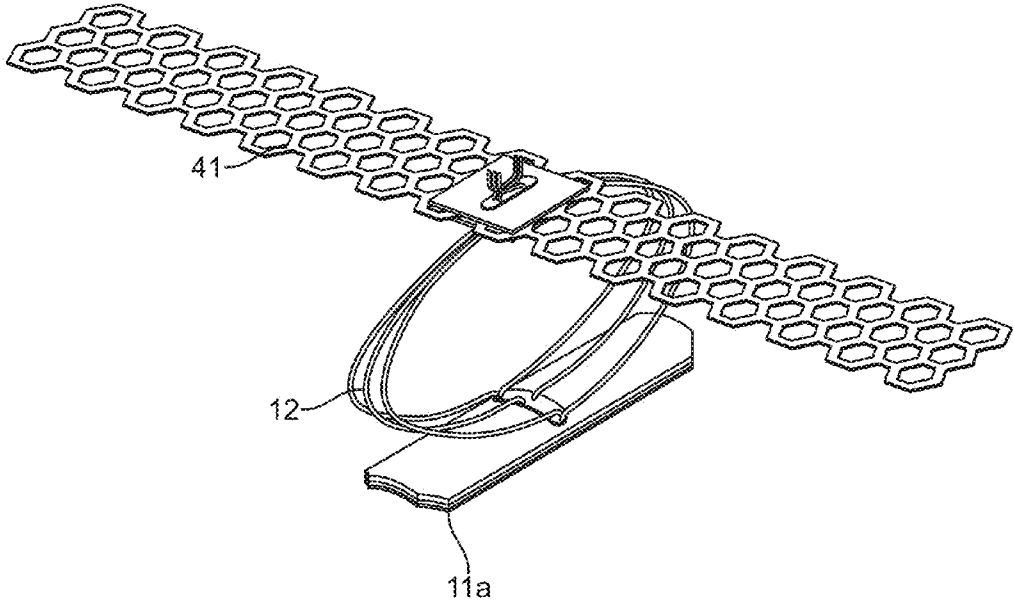


FIG. 14

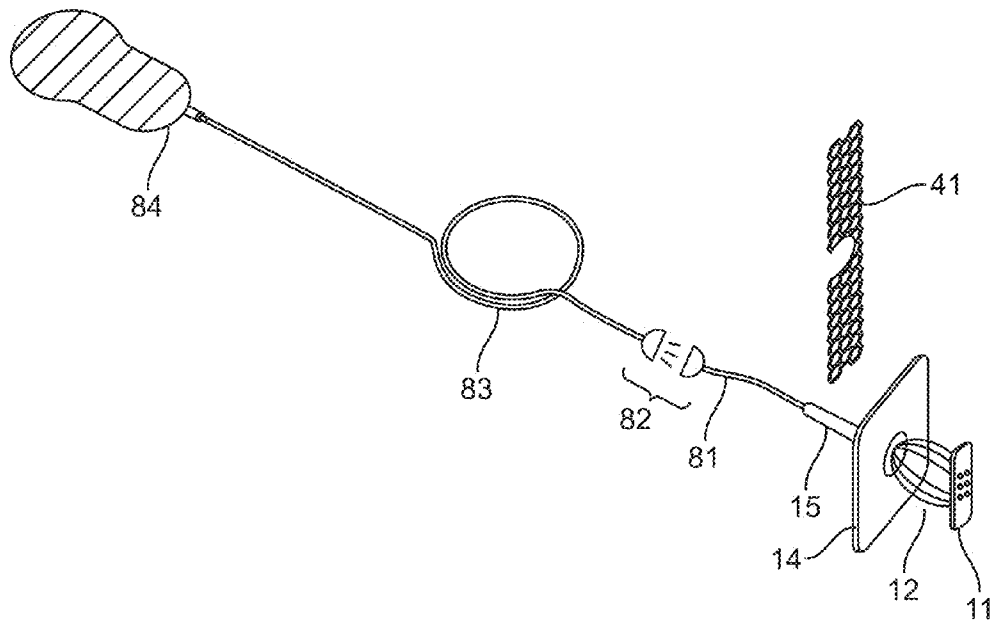


FIG. 15

SYSTEM THAT SECURES AN ELECTRODE ARRAY TO THE SPINAL CORD FOR TREATING BACK PAIN

REFERENCE TO RELATED APPLICATIONS

This application is the U.S. National Stage of International Application PCT/US2013/023912, filed Jan. 30, 2013, which was published as WO 2013/116377 on Aug. 8, 2013. This application claims the priority benefit of U.S. provisional application 61/592,515, filed Jan. 30, 2012; and U.S. provisional application 61/592,520 filed Jan. 30, 2012.

The priority applications and published PCT application WO 2012/065125 are hereby incorporated herein by reference in their entirety for all purposes.

FIELD OF THE INVENTION

The invention relates generally to the field of medical devices and pain management. In particular, it provides electrode arrays and support structures for electrical stimulation of the spinal cord.

BACKGROUND

Chronic pain is an often unbearable sequelae of spinal cord injury or disease. It can interfere with the basic activities, effective rehabilitation, and quality of life of the patient. The prevalence of pain in patients with spinal cord injury is high: in some studies ranging from about 62% to 84% of patients. Back pain is also a feature of other injuries and conditions. For example, postural abnormalities and increased muscle tone in Parkinson's disease may cause back pain, where the prevalence can be as high as 74%. Other conditions associated with back pain include disc rupture, congestive heart failure and osteoarthritis.

Because back pain is often intractable within the current spectrum of clinical modalities, new technology is needed for pain management.

SUMMARY OF THE INVENTION

This invention provides a device for implantation directly into the spinal cord for the purpose of treating back pain.

A plurality of electrodes is arrayed on a backing that conforms to the spinal cord. The electrode array is maintained on the spinal cord at a chosen location by way of a spring or support structure that is anchored to an anatomical structure outside the spinal cord itself, but near the site of implantation in the spine. Suitable anchoring structures include the vertebrae and the dura. Secured in this fashion, the compliant support structure maintains a gentle pressure of the electrode array against the spinal cord so as to stay in electrical contact but minimize the risk of injury or inflammation. The device can accommodate movement of the spinal cord laterally, transversely, and in a caudal-rostral fashion so that the electrode array remains in place.

An aspect of the invention is an implantable device for stimulating the spinal cord of a subject. In general terms, the device has an array of electrodes configured to conform to a region of the spinal cord in the subject such that the electrodes directly contact the spinal cord; and a support structure configured for securing to an anatomical structure outside the spinal cord and configured to urge the array towards the spinal cord so as to maintain contact of the electrodes in the array on the spinal cord. Anatomical structures "outside the spinal cord" are beyond the cord and the dentate ligaments, but

preferably within the spine and supporting tissues, and include the vertebrae and the dura of the spinal canal.

The support structure may be configured for securing to the dura. For example, the support structure may have a first flexible member that extends laterally towards and engages the left margin of the dura, and a second flexible member that extends laterally towards and engages the right margin of the dura. Optionally, the first flexible member also engages the left dentate ligament, and the second flexible member engages the right dentate ligament.

Alternatively or in addition, the support structure is configured for securing outside the dura: for example, to any one, two or more than two positions on one or more vertebrae in the subject. Exemplary is a strap bridging the lamina of a single vertebra. The support structure may also have a cuff configured to engage the dura at or near an access site during implantation of the device into the subject, thereby sealing the access site, and one or more electrical leads that pass from the arrayed electrodes through the cuff to provide electrical power from outside the dura for stimulating the spinal cord.

An exemplary device for securing to a vertebra has the following components: (a) an array of electrodes configured to contact the spinal cord; (b) a deformable support structure configured to urge the electrodes of the array into contact with the spinal cord during movement of the spinal cord within the dura; (c) one or more connecting members configured to pass from the support structure out through the dura; and (d) an attachment portion configured for securing the connecting members to a vertebra. The support structure can be configured to maintain pressure of the array upon the spinal cord within a desired range while accommodating changes in position of the array relative to the vertebra that result from movement of the subject in which it is implanted. The deformable support structure is compliant so as to be compressible during implantation, and has a spring action that urges the structure in a direction that is substantially opposite of the direction by which it was compressed. By gently compressing the structure against the spinal cord during implantation, the device will continue to urge the electrode array towards the spinal cord once it is affixed to a vertebra.

The support structure can comprise one or more flexible loops between the array and the connecting member with one or more of the following characteristics in any combination: the loops can be oriented substantially parallel with the spinal cord when the array of electrodes is in contact with the spinal cord; the loops can be oriented at an angle traversing the spinal cord when the array of electrodes is in contact with the spinal cord, thereby being in a position to accommodate both transverse and lateral movement of the spinal cord; the loops can extend horizontally beyond the electrodes on the array; or the loops can constitute or contain one or more electrical leads configured to supply electrical stimulation to the electrodes from a source outside the spinal cord.

The electrodes can be arrayed on a compliant backing that further comprises semi-rigid extensions in rostral and/or caudal directions and/or lateral directions that increase surface area of the backing in contact with the spinal cord. Thus, the electrodes are disposed on a flexible substrate configured to conform to the spinal cord, wherein the array has opposed axial ends along the spinal cord, and wherein the substrate extends sufficiently beyond both opposed axial ends so as to inhibit lifting of any electrodes of the array when the array moves with spinal cord physiological movement within the spinal canal along an axis of the spinal cord. In this configuration, the device may accommodate a total rostral-caudal motion of about 2 cm without lift-off at either end of the backing.

The attachment portion can contain or be configured for securing to a strap, which in turn is secured to lamina of a vertebra of a subject so as to bridge the lamina. The device may also have a cuff skirting around connecting member and configured to be joined with the dura at or near an access site during implantation of the device into the subject, thereby closing the access site; and a scaffold portion attached to the vertical portion between the cuff portion and the spring portion, configured so as to be positioned beneath the access site after the access site is closed.

The connecting members may have one or more electrical leads configured to supply electrical stimulation to the electrodes from a source outside the spinal cord. Such electrical leads can have a first lead portion extending from the attachment portion to the support and a second lead portion extending from the attachment portion to a stimulation signal generator, wherein the first lead portion is coupled to the second lead portion at a connector having a first connector portion mounted to the attachment portion, the first lead portion configured to be more resistant to failure than the second lead portion. There may be an electrical connector at or near the position where the device exits the dura, whereby electrical leads passing from the electrodes through the connecting members to the connector may be electrically and reversibly connected to a power source.

Another aspect of the invention is a strap structured for securing to lamina of a vertebra of a subject so as to bridge the lamina, the strap being configured to receive and support the attachment portion of a device, thereby maintaining pressure of the array of the device upon the spinal cord of a subject in which the device is implanted such that the pressure is maintained within a specified range. An implantable device of this invention and the strap may be manufactured, marketed, or supplied separately or together in kit form.

Another aspect of the invention is an apparatus configured to receive and install an implantable device of the invention in a subject at a position wherefrom pain experienced by the subject can be relieved. The apparatus has a holding member configured to receive and reversibly secure the implantable device while it is being implanted into a subject in need thereof, and a retractable measuring rod configured so that the spring portion or support structure of the device can be positioned and installed at a measured distance away from the spinal cord in the subject such that the array of electrodes is urged upon the spinal cord within a desired or predetermined pressure range. The device and the apparatus can be manufactured, marketed, or supplied separately, or together as a combination.

Another aspect of the invention is a method for implanting a spinal cord stimulation device. The method comprises accessing the spinal cord through a surrounding dura of a spinal canal; positioning the spinal cord at a desired location within the spinal canal; placing an array of electrodes in contact with the spinal cord; coupling a deformable support structure between the array and the dura of the spinal canal so that engagement between the electrodes and the spinal cord remains within a desired range as the spinal cord moves within the spinal canal from the desired location throughout a physiological movement range; and sealing the array and support within the spinal canal.

The device may be secured to a vertebra by creating an incision in the dura over the dorsal aspect of the spinal canal of the subject; positioning the arrayed electrodes over the dorsal spinal cord at a location that is essentially symmetrical between the left and right dorsal root entry zones; lowering the support structure towards the spinal cord so as to compress the spring portion and engage the electrodes with the

spinal cord within a desired pressure range; closing the incision around the connecting members; and securing the attachment portion to a vertebra of the subject. This may comprise loading the device on an installing apparatus of this invention, positioning and lowering the device onto the spinal cord by manipulating the apparatus, detaching and removing the apparatus from the device following step (e), and closing the incision around the connecting members once the apparatus has been removed.

The device may be secured to the dura by excising the dura over the dorsal aspect of the spinal canal of the subject; compressing the spring or support structure; positioning the compressed device such that the arrayed electrodes engages a region of the spinal cord that was exposed; allowing the device to expand so that the array is urged towards the spinal cord; and closing the dura.

Another aspect of the invention is a method and a device for use in stimulating a spinal cord by delivering an electrical stimulus to a targeted region of the spinal cord by way of a device according to this invention. The electrical stimulus can comprise a pattern of electrical pulses or signals. The stimulus is applied so as to inhibit sensation of pain by the subject; or to inhibit symptoms of Parkinson's disease, spinal cord injury, or congestive heart failure in the subject.

Further embodiments of the invention will be apparent from the description that follows.

DRAWINGS

FIG. 1A is a cross-sectional view of a device configured to secure an electrode array to a vertebra. The electrode bearing portion 11 is being positioned on the surface of the spinal cord 21 using a device positioning apparatus (DPA) 31. The dural cuff 14 is secured against the connecting member 15 containing the lead 16. In FIG. 1B, the spacing rod 33 is retracted, and the dura 23 is sutured to the dural cuff 14. In FIG. 1C, the device is secured to a strap 41 which in turn is secured to the vertebral lamina 27a and 27b. FIG. 1D, the device positioning apparatus 31 has been disengaged from the device and removed.

FIGS. 2A to 2D are side (longitudinal) views of the device positioned on the spinal cord and secured to a vertebra.

FIGS. 3A to 3D are top-down views of the device positioned on the spinal cord and secured to a vertebra.

FIGS. 4A to 4E are side view illustrations showing a step-wise procedure by which the device may be installed into an operative position on the spinal cord.

FIGS. 5A to 5C show the same procedure from a top down view.

FIGS. 6A to 6D are magnified lateral views showing details of how the device is positioned to optimize pressure of the electrode bearing portion on the spinal cord.

FIG. 7A shows an oblique view of a prototype device configured for securing to the inner margin of the dura. An electrode bearing portion 11 is configured to conform to a surface of the spinal cord. Upon implantation, extensions 17 of the backing project outwards from the spinal cord toward the support structure 10, where there are pins 18 for engaging the dura. FIG. 7B shows the device in cross-section, after implantation against the spinal cord 21 and being secured to the dura 23. FIG. 7C is a detail showing suturing of the dural cuff 14 to the dura 23. FIG. 7D is a detail showing a securing pin 18 engaged in the inside of the dura 23.

FIG. 8A is a view of the device depicted in FIG. 7A, placed onto the spinal cord, viewed from above the dorsal surface of the spinal cord to which the electrode array has been secured.

5

FIG. 8B is a side view of the device where the spinal cord **21** is shown longitudinally, and the dura **23** has been cut away.

FIGS. 9A, 9B, 9C, and 9D show steps whereby the device may be implanted through a dural incision. The pins **18** on the support structure **10** engage the dura **23**, and the electrode bearing portion **11** conforms to the spinal cord **21** so that the electrodes may have direct contact.

FIG. 10A show an electrode array configured to be clamped to the dentate ligament **28** on each side of the spinal cord. FIG. 10B shows a detail of a clip **19** that affixes an extension **17** of the array to the dentate ligament **28**.

FIG. 11A is a schematic depiction of an electrode in cross-section, extending from the backing upon which it is arrayed. FIG. 11B shows electrodes arrayed in the backing so as to provide a degree of mobility.

FIGS. 12A and 12B are a drawing and a spinal cord image showing calculation of the arc length between dorsal-root entry zones.

FIGS. 13A and 13B are images of a spinal cord showing movement of a spinal cord between neutral and flexed positions. The images can be used to measure spinal cord contraction and expansion along the rostral-caudal axis.

FIG. 14 illustrates a working prototype in which an array backing is secured to a transverse strap by way of a compliant (spring-like) structure in the form of a triple loop (loop area≈160 mm²). When mounted on a spinal cord stimulator apparatus, the prototype accommodated a total rostral-caudal motion of 2 cm without lift-off of either end of the backing.

FIG. 15 provides an overall view of a spinal cord stimulation apparatus. Included are an electrode bearing portion **11**, a spring portion **12**, a strap **41** for securing to a vertebra in the subject, an electrical connector **82**, and an external component **84** which comprises a power source and electronics for controlling the electrical stimuli.

DETAILED DESCRIPTION

One of the factors that limits spinal cord stimulation as an effective treatment of intractable back and leg pain is the inability of the standard devices to selectively modulate the targeted neural fibers. Commercially available devices can inadvertently stimulate neighboring non-targeted structures, such as the dorsal nerve rootlets. This is due to the shunting effects of a layer of highly conductive cerebrospinal fluid located between the epidural electrodes and the spinal cord surface. Shunting of the electrical current produced by the electrode away from the target treatment site limits therapeutic efficacy in up to half of all patients implanted with a standard epidural stimulator. See Eldabe et al., *Neuromodulation* 13 201-209, 2010.

This invention provides a technology whereby electrode arrays can be more reliably positioned in contact with the spinal cord. Gentle pressure is maintained using a spring or support structure anchored to an anatomical feature or structure outside the spinal cord. Suitable anchor points include anatomical structures at the margins of the spinal canal (particularly the inner wall of the dura), and immediately outside the spinal canal (exemplified by the vertebrae).

FIG. 15 shows an embodiment of the securing system of this invention as part of a spinal cord stimulation apparatus. An electrode bearing portion **11** having an array of electrodes is configured to conform to the spinal cord of a subject (not shown) who is in need of spinal cord stimulation. A spring portion **12** comprising flexible loops is configured to urge the electrode bearing portion **11** against the spinal cord. A dural cuff **14** is configured for joining to the dura, sealing the spring portion **12** within the intradural space. A connecting member

6

15 (carrying electrical leads connected with electrodes in the electrode bearing portion **11**) exits the dura, and is configured for attachment to a strap **41**, which is used to secure the device to a vertebra in the subject. A first lead portion **81** has an electrical connector **82** which connects to a second lead portion **83** (a relay lead), which in turn is connected to an external component **84**. The first lead portion **81** is generally more resistant to failure than the second lead portion **83**, which can be detached at the electrical connector **82** and replaced. The external component **84** comprises a power source and electronics for controlling the electrical stimuli.

The electrode array and support structures of this and related inventions and their various components are being commercially developed under the mark "I-Patch".

Securing the Electrode Array to the Vertebrae

FIGS. 1A to 3D illustrate an example of the invention in which an electrode array is secured to a vertebra of the subject. FIGS. 1A to 1D are a cross sectional views. FIGS. 2A to 2D are side (longitudinal) views. FIGS. 3A to 3D are top-down views.

Referring to FIG. 1A, the spinal cord **21** in the spinal canal **22** is surrounded by the dura **23**. Dorsal rootlets **24** carry sensory (afferent) fibers to the spinal cord. Dentate ligaments (not shown) suspend the spinal cord within the spinal canal. This is surrounded by a vertebra **26** that been opened at the back (top) through which the surgeon may access the spinal cord.

The device comprises an electrode bearing portion **11** bearing an array of electrodes for contacting and conforming to the spinal cord **21**, from which to deliver an electrical stimulus. The device further comprises a deformable spring portion **12** in the form of a loop, which acts as a support structure, urging the electrode bearing portion **11** into contact with the spinal cord **21** so as to accommodate movement of the spinal cord within the spinal canal **22**.

Referring to FIG. 1B, upon implantation into a patient, the electrode bearing portion **11** is placed on and conforms to the surface of the spinal cord **21**. The electrode bearing portion **11** is kept in place by way of the spring portion **12** that presses the array against the cord. Here, the spring portion **12** is depicted as a transverse loop. Alternatively, the loop runs longitudinally along the spinal cord or diagonally to accommodate movement of the spinal cord in a caudal-rostral fashion through the vertebrae. Over top of the spring portion **12** is an attachment arm or scaffold **13**, above which is a dural cuff **14** for suturing to the dura **23** during closure. A connecting member **15** containing electrical leads **16** passes up through the dural cuff **14** to an external power source (not shown) that provides a pattern of electrical pulses for stimulating the spinal cord.

Referring to FIG. 1C, following closure of the dura, the strap **41** is placed with lower surfaces **42a** and **42b** in contact with the vertebral lamina **27a** and **27b**, where it may be permanently affixed by way of surgical screws (not shown, see FIGS. 3C and 3D below) or other attachment means (not shown). The vertical connecting member **15** of the support device passes through and is secured to an opening **44** near the midpoint of the strap **41** between the two vertebral lamina **27a** and **27b**. The device may also comprise an attachment means (not shown) by which the connecting member **15** is secured to the strap **41** at a set distance from the spinal cord **21** so as to maintain pressure of the electrode bearing portion **11** against the spinal cord **21** within a desirable range of pressure. The electrode bearing portion **11** thereby maintains a position wherefrom to stimulate the spinal cord **21** without losing contact should the spinal cord move from its neutral position,

without injuring the spinal cord and surrounding tissues, and without provoking an inflammatory response.

FIGS. 1A to 1C also show a micromanipulator that is used as a device positioning apparatus (DPA) 31. The surgeon may use the DPA to install the device into a subject at a target site on the spinal cord. The DPA comprises a holding member or handle 32 configured to receive and reversibly secure the implantable device while it is being implanted, and a measuring portion or spacing rod 33 with a lower surface 34 configured to be placed upon the dorsal surface of the spinal cord 21 during the procedure. The DPA is used to position the spring portion or support structure 12 of the device at a measured distance away from the spinal cord 21 such that the electrode bearing portion 11 is urged against the spinal cord 21 within a desired pressure range.

The spacing rod 33 is used to calibrate the distance for lowering the electrode bearing portion 11 onto the spinal cord 21. The spacing rod 33 may be permanently attached to the DPA, or may be retractable. As shown in FIG. 1A, the spacing rod 33 passes through brackets 35a and 35b so that the spacing rod 33 can be lowered to a measuring position, and then raised by way of a handle 36 to a retracted position. The device may be detachably secured to the DPA, for example, using a clamping arrangement or fungible connecting means such as a thin band or suture. The DPA is operated to release the device once the device is secured at the target location on the spinal cord, and then removed from the field. In FIG. 1D, the device positioning apparatus 31 has been disengaged from the device and removed.

FIG. 2A is a side view showing the reflected edge 23a of the dura as a dashed line. The electrode bearing portion 11 is shown during initial positioning on the spinal cord 21 with the dural cuff 14 secured against the connecting member 15 above the scaffold 13. The spacing rod 33 of the positioning apparatus 31 is in the down position in contact with the spinal cord 21. In FIG. 2B, the spacing rod 33 is moved to the up position, and the dural cuff 14 is secured by suturing to the dura 23. In FIG. 2C, the titanium strap 41 is secured to the vertebral lamina (not shown), and the vertical connecting member 15 is secured to the strap 41. In FIG. 2D, the device positioning apparatus 31 has been disengaged and removed.

FIG. 3A is a top-down view showing the rostral 23b and caudal 23c limit of the durotomy, with the electrode bearing portion 11, the loop-shaped spring portion 12, the scaffold 13, and the dural cuff 14, with the dural cuff secured against the vertical connecting member 15 before implanting. The spacing rod 33 of the positioning apparatus is in the down position. FIG. 3B shows the dural cuff 14 detached from the vertical connecting member 15 and sutured to the dura 23, with the spacing rod 33 moved to the up position. FIG. 3C shows the vertical connecting member 15 of the device secured to an opening 44 at around the horizontal midpoint of the strap 41, which in turn is secured to the lamina 27a and 27b by way of four surgical screws 43a, 43b, 43c, 43d. In this illustration, the strap bifurcates on each side as it approaches the lamina. In FIG. 3D, the device positioning apparatus has been disengaged and removed.

Components of the Device

In more general terms, a spinal cord stimulating device of this invention may include any of the following features in any operative combination.

For securing to a vertebra, the device comprises an electrode array (as described in more detail below), and a spring portion or support structure that maintains contact of the electrodes in the array with the spinal cord. The spring portion or element is configured (by a choice of shape, thickness, rigidity, and distance away from the array itself) to exert a

pressure by the array on the spinal cord within a predetermined or desired range upon implantation of the device into a subject. The range of this pressure might be 0.1 mm Hg through 25 mm Hg. Various mechanical spring shapes are suitable for this compliant element. One such shape is one or more flexible loops that is attached to the upper structure of the device on one side and to the array on another side. For economy of design and operation, the spring portion consists of or contains the electrical leads supplying stimulation to the electrodes.

The support structure may integrally comprise an attachment portion for securing directly to a vertebra. Alternatively, it may comprise one or more vertical connecting members configured for securing to a separate strap that bridges the lamina. The strap may have any suitable shape that spans between and secures to the lamina or other parts of the vertebra within a suitably confined volume. The strap may be packaged or provided together with other components of the device in kit form, or supplied separately.

Other possible components include a cuff portion attached to the vertical connecting member and configured to be joined with the dura at or near an access site during implantation of the device into the subject, thereby closing the spinal canal. A scaffold portion may be attached to the vertical portion between the cuff portion and the spring portion, configured so as to be positioned beneath the access site after closure. There may also be an electrical connector at or near the position where the device exits the dura, whereby electrical leads passing from the electrodes through the vertical member(s) to the connector may be electrically and reversibly connected to a power source.

Apparatus for Positioning the Electrode Support Device During Installation

As explained above in reference to FIGS. 1A to 1C, the device positioning apparatus (DPA) 31 assists the surgeon in placing the support structure with the electrode bearing portion precisely onto the target site on the spinal cord. The DPA is configured to receive and install the device in such a manner that the electrode array abuts and is urged against the dorsal surface of the spinal cord, and is anchored to a nearby vertebra. The DPA comprises a holding member configured to receive and reversibly secure the implantable device while it is being implanted, and a spacing rod 33 configured so that the spring portion 12 or support structure of the device can be positioned and installed at a measured distance away from the spinal cord 21 in the subject such that the electrode bearing portion 11 is urged upon the spinal cord within a desired pressure range.

The DPA can be configured as a rod-shaped hand held device. During surgery, the device is connected to a malleable attachment arm (e.g. modified Greenberg) outside of the surgical cavity. The neurosurgeon grasps and positions the DPA using her left hand. The device assembly is reversibly attached to the end of the DPA. A heavy-gauge suture is run through eyelets on the DPA and looped around the exiting lead of the device. During the insertion procedure the suture is under sufficient tension (the sutures are secured to anchor points on the distal handle of the DPA) to grasp the lead securely. At the appropriate point in the procedure, the suture is cut using microscissors to achieve a smooth and technically simple mechanical release of the device lead from the DPA.

The portion of the DPA rod close to the spinal cord has an acute angle. This angle serves to off-set the point of attachment between the DPA and the device lead several centimeters away from the shaft of the DPA. This design feature serves two purposes: 1) it provides a clearly line-of-sight field of view for the neurosurgeon than would be the case with a

straight DPA, and 2) it gives the neurosurgeon the physical access to suture a majority of the device dural cuff circumference to the spinal dura while the device is being held in the optimal position by the DPA. After the device is secured by way of the strap to the lamina of the vertebra, it may not be technically feasible to surgically access much of the circumference of the dural patch. All but a small portion of the dural cuff circumference is sutured closed before the strap is placed, and the portion that remains to be sutured is well away from the strap (i.e. a small portion of the cuff located on the side of the durotomy opening opposite to the strap).

As illustrated in FIG. 4A, the DPA 31 may also be provided with an affixed or retractable distance measurement extension (DME) 37 or measuring rod. The purpose of the DME is to provide the neurosurgeon with visual feedback to set the appropriate distance between the electrode bearing portion of the device and the point at which the lead bundle penetrates the dural cuff during the device implantation procedure. The DME may be gently curved, extending below and parallel to the distal portion of the DPA (the end of which is attached to the device lead). The neurosurgeon is able to visualize the tip of the DME and lowers the device assembly onto the spinal cord, compressing the intradural leads until the tip of the DME just comes into contact with the electrode bearing portion of the device. The midline position of the DME does not interfere with the first portion of the subsequent dural cuff closure step, or damage the intradural leads. Once the device is permanently secured to the strap and it is necessary to disengage and remove the DPA, the curved profile of the DME allows it to be safely removed from the intradural space with a simple rotational and upward movement of the DPA.

Procedure for Installation

General guidance for the surgeon in placing the device onto the spinal cord is as follows. The surgeon should have clear line-of-sight visualization of the electrode bearing portion of the device as it is positioned on the surface of the spinal cord. The distance between the electrode bearing portion of the device and the point at which the leads fuse into the dural cuff exit site can be set precisely during the operation. This sets the tension of the malleable intradural leads at the optimal force under conditions when the spinal cord is at its most ventrally displaced position within the spinal canal.

The surgical opening should provide access for forceps and a needle driver, around the entire circumference of the dural cuff. The device placement and closure technique should be efficient, with no unnecessary steps. The surgical technique can be designed in a manner that minimizes the risk of injuring the spinal cord or damaging or displacing the electrode array from its optimal location. A technically competent neurosurgeon should be able to complete the implantation procedure safely and reliably.

FIGS. 4A to 4E are side views that illustrate a step-wise procedure by which the device may be installed into an operative position on the spinal cord. FIGS. 5A to 5C show the procedure from a top-down view. In FIG. 5A, the solid line labeled 23a is the edge of reflected spinal canal dura. The dashed line labeled 14a is the caudal edge of the dural cuff. FIGS. 6A to 6D are magnified lateral views showing details of how the device is positioned to optimize pressure of the electrode bearing portion on the spinal cord. In these illustrations, the securing strap is shown as a substantially rectangular shape and secured to each of the two vertebral lamina by way of two surgical screws on each side. The device positioning apparatus (DPA) 31 is shown with an affixed (non-retractable) distance measurement extension (DME) 37.

The connecting member 15 of the electrode array support device is secured to the strap 41 at or near the midpoint

between the sides that span the lamina at or near the rostral edge of the strap. This can be done, for example, using sutures, small clamps, or an adhesive such as silicone. There may be a portion of the strap designed to accommodate the lead and the suture or clamp. The components are configured so that the device may be positioned to press the electrode bearing portion 11 on the spinal cord 21 at a desired pressure, and then secured in this position by way of the strap 41 or attachment portion.

The steps of the procedure are as follows.

Step 1: A multi-level laminectomy is performed.

Step 2: A mid-line durotomy is created of sufficient length.

Step 3: The device is loaded onto the DPA. This requires looping a suture through the DPA eyelets and around the lead, and then securing the suture on the DPA handle using sufficient tension.

Step 4: The DPA is attached to a malleable retractor arm (modified Greenberg), and the surgeon uses his left hand to move the DPA into position. The retractor is kept on the flexible setting (maximal malleability) until the surgeon has the DPA and attached device in the desired position. Once the device is in the optimal position, an assistant secures the retractor arm to achieve rigid fixation of the DPA and device.

Step 5: Using forceps held in his or her right hand, the surgeon grasps the caudal portion of the device dural cuff and reflects it upward to allow clear visualization of the electrode bearing portion of the device.

Step 6: The DPA is adjusted so that the electrode bearing portion of the device is positioned on the dorsal spinal cord symmetrically between the left and right dorsal root entry zones.

Step 7: The DPA is then lowered further towards the spinal cord causing the intradural leads to bow outward. This compression maneuver is continued until the DME makes gentle contact with the electrode bearing portion of the device. This is then the optimal position for the device assembly.

Step 8: The assistant adjusts the malleable retractor setting to lock the retractor (and the attached DPA) into the optimal position.

Step 9: The surgeon sutures the accessible edge of the dural cuff to the spinal canal dura. The surgeon's line of sight at this stage in the procedure is from a caudal vantage point. Approximately 80% of the circumference of the dural path is sutured to the spinal canal dura from this surgical angle. The only portion of the dural cuff that is not sutured closed is the portion obscured by the section of the DPA that extends rostral from its point of fixation with the device lead.

Step 10: The strap is secured to the device lead and then secured to the left and right edges of the laminectomy defect using bone screws. This step secures the device assembly into its final position relative to the spinal canal.

Step 11: The suture securing the DPA to the device assembly is cut, disconnecting the DPA from the device lead.

Step 12: The surgeon holds the DPA as an assistant changes the retractor arm to the malleable setting. The surgeon then gently rotates and lifts the DPA out of the surgical cavity. Care is taken to remove the DPA from the subdural space without impacting the device assembly or damaging the intradural leads.

Step 13: The surgeon shifts his line of site in order to optimally visualize the rostral portion of the dural cuff. This portion of the dural cuff is sutured to the spinal canal dura.

11

Step 14: The remainder of the wound closure is carried out in a manner similar to that used for a standard spinal cord stimulator placement operation.

In Steps 7 and 8, the surgeon has an opportunity to optimize the pressure of the array on the spinal cord so that the device accommodates movement of the spinal cord, but without injuring the spinal cord or causing inflammation. Depending on the nature of the device and the judgment of the surgeon, a suitable pressure could be about 0.1 mm Hg to 25 mm Hg. The upper limit (25 mm Hg) is about half of a typical low range human diastolic blood pressure, so that blood flow through surface vessels on the spinal cord would not be choked off by the pressure applied to them by the electrode-bearing surface.

Securing the Electrode Array to the Dura

As an alternative to securing the electrode array to the vertebra, it can be secured to the margins of the dura. There are several advantages of this approach. Surgical implantation of the device may be less cumbersome for some patients. A simple, one-piece device is placed on the surface of the spinal cord, and allowed to expand to engage the dura. No clips or screws are required, and lead manipulation is minimized. Furthermore, the device can be extracted or repositioned more easily. By compressing the device laterally, it disengages from the dura and can be removed from the patient or reengaged elsewhere. This may be an easier surgical procedure that is less likely to cause damage than using clips, clamps, tabs, fusions, or other attachment means and procedures.

This section describes and illustrates a device of this nature and explains how it may be implanted onto the spinal cord of the patient. The features shown in the illustration are not meant to be limiting unless explicitly or otherwise required.

FIG. 7A shows an oblique view of the device before implantation onto the spinal cord of a patient. An electrode bearing portion 11 bears an array of electrodes that face downwards, thereby being configured for direct communication with the spinal cord 21 so that the electrodes may provide electrical stimulation to the region of the cord upon which it is laid. The electrode bearing portion 11 has extensions 17 that extend laterally in both directions, so as to join with the support structure 10. The plane of the electrode array also typically comprises electronic circuitry to create or convey a pattern of electrical stimulation (not shown). Power and control signals may come to the electronic circuitry through a wire connection that passes outside the device, or it may be received through an antenna in the device by wireless transmission.

The support structure 10 shown here is in the form of a half-oval scaffold (HOS). The function is to secure the array 11 to the left and right lateral margins of the dura upon implantation into the spinal canal. The HOS is slightly compressed during surgical insertion. When the HOS is released, small securing pins 18 on each side attach to sites on the left and right lateral margins of the spinal canal dura. The electrode bearing portion 11 is suspended between each side of the support structure 10 by way of extensions 17 of the backing material that extend laterally from the electrode bearing portion 11. Because of their positioning during implantation, the lateral extensions 17 may be referred to as "artificial dentate ligaments".

The embodiment shown here further comprises a dural cuff 14. This can be used to fix the device to a third point of the dura: specifically, the site of the dorsal durotomy closure. Fixation of the cuff during implantation can achieve a watertight dural closure around the connecting member 15 containing electrical leads, as it exits the dura.

12

FIG. 7B shows the prototype device in cross-section as it would be implanted onto a spinal cord 21 (shown with white matter 21a and gray matter 21b). The electrode-bearing portion 11 directly contacts the spinal cord, providing a medium through which electric stimulation may be provided. The electrodes are imbedded in a compliant backing of an elastic or pliable backing material so that the array may conform to the spinal cord 21 at a region where the clinician desires to provide an electrical stimulus. The electrodes are exposed downwards to engage the spinal cord such that all or most of the electrodes remain in contact with the spinal cord providing a conduit for imparting the electrical stimulus.

Situated above the electrode bearing portion 11 in this illustration is a support structure 10, shown here curved nominally in the shape of a half oval. The support structure is typically made of a material that is pliable more rigid than the backing for the electrodes. This enables the structure to resiliently support the electrode array, and provide an outward pressure (when laterally compressed) to urge the sides towards the dura, thereby engaging the inner margin. In this example, the backing of the array assembly has extensions 17 (the artificial dentate ligament) that extend towards the support structure 10 on each side, thus anchoring the array downwards upon the spinal cord 21.

FIG. 7D provides a detail of the securing pin 18 engaging the dura 23 on the left and right margins. FIG. 7C provides a detail of the third fixation point. The dural cuff 14 disposed above the support structure 10 is sutured or otherwise fixed to the dura 23 at an incision point, such as may be generated by surgical insertion of the device. In this illustration, a connecting member or sheath (not shown) passes through the dural cuff 14 and out of the spinal canal, carrying leads 16 to an external component that supplies power and control signals to electrodes in the electrode bearing portion 11.

FIG. 8A shows the implanted device in a top down view. The dura 23 is shown in transverse cross-section. The electrode bearing portion 11 is attached to the support structure 10 by way of the backing extensions 17, with the connecting member 15 exiting the spinal canal upwards. FIG. 8B shows a side view of the spinal cord 21 with the dura 23 in transverse cross-section. The electrode bearing portion 11 is maintained in direct contact with the spinal cord 21 white matter by way of the extensions 17 attaching to the support structure 10 at or around the point where the pins 18 secure the support structure to the dura 23.

Installation of the Device

The device may be affixed to the dura by way of contact points that adhere to or transverse the dura. Alternatively, the device can be constructed in such a fashion that its sides span the width of the spinal canal, and/or maintain a gentle lateral pressure so as to secure the device in place.

FIGS. 9A to 9D show how the device may be implanted such that the electrodes are put in contact with the spinal cord 21. In FIG. 9A, an incision is made in the dura 23 from the dorsal side that is large enough for the compressed device to be introduced into the spinal canal. The device comprising the electrode bearing portion 11 and the support structure 10 is compressed inwardly by way of forceps 51 that are specially designed to configure to the sides of the device and compress the sides and hold the device in the compressed or smaller configuration. In FIG. 9B, the electrode array is passed through the incision and positioned over the exposed dorsal surface of the spinal cord. In FIG. 9C, closing tension on the forceps is reduced, allowing the support structure 10 to expand laterally, thereby urging the dural securing pins 18 into the dura 23. In FIG. 9D, the dura 23 is closed, incorporating the device's dural cuff 14 into the closure. Each contact

point with the dura may have a plurality of pins, a pad, a smooth or rough surface integral to the extension or support structure, or a contact feature is discrete and mounted onto the device, facing outwards towards the dura. The pin or other contact feature may be configured to engage the dura without rupturing the surface, or it may pass into or through the dura, optionally to be secured on the other side with a cap.

Securing the Electrode Array to the Dentate Ligaments

Alternatively or in addition to securing the electrode array to the vertebra and/or the dura, the device may be secured to or otherwise placed in communication with the dentate ligaments. One normal function of the dentate ligaments is to suspend the spinal cord within the spinal canal in a physiologic manner that enables supple movement of it but does not cause chronic injury to the spinal cord from mechanical tethering.

FIG. 10A shows an electrode array adapted for clamping to the dentate ligaments. The device has an electrode bearing portion 11 supported by a support structure in the form of a body 12a which includes a flexible substrate or backing, with the array configured to engage a dorsal portion of the spinal cord 21. Dentate ligament attachment features such as flexible arms 17a extend laterally from left and right sides, with the arms optionally comprising the same substrate or backing material from which the body is formed. The extensions are configured to be attached to left and right dentate ligaments 28 on either side of the treatment region of the spinal cord to secure the electrode bearing portion 11 in engagement with the spinal cord. The attachment arms 17a may be more elastic than the array backing, extending laterally from the electrode array. The attachment arms 17a may flair to a larger width adjacent the ends opposite the array, or may have slightly raised grooves or texture at or near these ends to facilitate clipping, crimping, or adhesively bonding the arms to the dentate ligament. FIG. 10B shows a detail of the clip or tab 19 used to attach the arms 17a to the dentate ligament 28.

Features of the Electrode Array

A support device according to this invention presents an array of electrodes configured to conform to a region of the spinal cord such that the electrodes directly contact the spinal cord. Suitable electrode arrays are described below and in WO 2012/065125. A compliant backing is typically used, and is reshaped with a curvature to lie on top of the dorsal aspect of the spinal cord so that the electrodes across the array are in contact with the dorsal pial surface of the spinal cord surface.

An implantable device according to this invention comprises a plurality of electrodes for placing in direct contact or electrical communication with the pial surface and underlying white matter of the spinal cord, within the spinal canal. The electrodes may be arrayed on a pliable background, constructed of a material and in a shape that allows it to be conformed directly to the spinal cord. The plurality of electrodes may comprise at least 10, at least 20, at least 30, or at least 50 electrodes. They may be arrayed on the backing in a grid, a rectilinear pattern, or any other arrangement that is effective. All of the electrodes may be supplied with stimulating power through a common lead. Alternatively, the electrodes may be attached singly or in groups to separate leads so that each electrode or electrode group can provide the spinal cord with a separate stimulus as programmed by a central control unit.

Electrode Design

FIG. 11A schematically illustrates an electrode projecting from an interior surface of a backing or substrate. Therapeutic benefit may be enhanced by maximizing current densities in the targeted conducting tracts of the spinal cord itself, while minimizing the current density shunted away by the CSF. In

this embodiment, the electrodes are engaged against the surface of the spinal cord as shown, with a stand-off column 62 extending between the exposed portion of the electrode 61 and the underside of the electrode backing 64. This arrangement can support the implant off the surface of the spinal cord by about 100 μm to accommodate pulsation of the spinal cord 21. By insulating the surface of stand-off column 62, it is possible to minimize the shunting effect of the CSF, since the exposed portion of the electrode will be in contact only with the pial surface of the spinal cord 21, and not with the CSF itself. Gentle inward pressure causes slight inward “dimpling” of the pial surface by the electrode. As a result, the active exposed surface of the electrode is “sealed” by spinal cord tissue enveloping the protruding portion of the contact. A small gap separates the electrically inactive portions of the array, providing space into which the spinal cord tissue may expand and contract with cardiac pulsation cycles.

FIG. 11B schematically illustrates individual electrodes 61 flexibly mounted to a substrate or backing 64 by a soft resilient material 65 so as to allow the electrode to resiliently float or move radially and/or laterally relative to the substrate by a distance that is at least as large as the pulsations of the surface of spinal cord 21. This movement of each electrode may inhibit sliding engagement of the electrodes against the surface of the spinal cord during pulsation or any other type of spinal cord movement. In some implementations, the only parts of the array that directly engage the spinal cord are the electrode contacts. These may serve as mechanical anchoring points for the device. They exert enough pressure to maintain good electrical contact with the surface of the spinal cord. The pressure exerted should be generally even for all of the contacts, for example, by having electrodes protruding slightly from contoured attachment arms (not shown). This places all contacts in the desired position in relation to the surface of the spinal cord. Outward and inward movements of the contacts (e.g. with pulsations and respirations) are accommodated by movements of the semi-rigid attachment arms

The bodies of the electrodes 61 extend through apertures 66 in substrate or backing 64, with the substrate being pliable and having elasticity appropriate to supporting thin film circuit components. A soft elastomeric material 65 spans the apertures from the backing 64 to the electrodes 61, with the elastomeric material here comprising a sheet of material adhered to the outer surface of the substrate. Alternatively, the electrodes 61 may be supported relative to each other and the substrate with a soft elastomeric material spanning directly between the electrode and the walls of the aperture (not shown).

Array Design

The electrode bearing portion (EBP) of the array is generally structured to conform to the dorsal surface of the spinal cord and maintain each of the electrodes in contact so as to deliver an electrical signal. Suitable parameters for the array may be drawn from Example 1, below. The array may be provided in a range of stock sizes. Alternatively, it can be custom manufactured according to the anatomy and treatment objectives for each patient. The exact anatomical dimensions of a given patient’s dorsal spinal cord can be determined from a pre-operative MRI study. The EBP is manufactured to be semi-rigid and have a fixed curvature that is appropriate for a given patient’s spinal cord.

The array will be held in place by forces exerted by a plurality of leads spanning the space between the EBP on the spinal cord surface and the dura. The direction and magnitude of forces exerted on the EBP will vary significantly as the spinal cord moves within the spinal canal. In some extreme spinal cord positions there will be a tendency for the lead

forces to cause the EBP to lift or rock out of position. This effect can be reduced by adding non-lead bearing physical extensions to the EBP. Extensions of semi-rigid silicon in both the rostral and caudal directions make the EBP less likely to lift off of the spinal cord surface when the cord is displaced. Similarly, laterally positioned extensions help prevent lateral slippage. These extensions may be referred to as “outriggers”. The configuration of the electrodes on the array and the stimulus patterns used to energize them may be selected to optimize the distribution of electrical current density within the target tissues of the spinal cord, while minimizing the spread of said electrical current density into non-targeted tissues, for example the dorsal root entry zones.

Electrical Leads

Where the device receives power or control signals from an external source by way of wire leads, the leads pass through the dura to be in electrical communication with the circuit and the electrodes. By providing the leads with a cuff, flange or other feature for attachment to the dura where the leads pass through, a fixation point for the device is created by attaching or sealing the feature to the dura. After passing into the spinal canal, the leads may trace a path along the extensions or support structure (either internally or on either side), and then continue to the circuit or electrode array.

Lead segments between the electrode array and the dura may be configured to serve at least two functions. One is to conduct electrical signals; the other is to exert the desired physical forces on the EBP to maintain its optimal position on the mobile spinal cord: specifically, a gentle, stable pressure on the EBP for a wide range of spinal cord positions. Long, looping leads can be used that are oriented predominantly in the rostro-caudal plane, but with a slightly oblique orientation to deliver some components of force in directions that help prevent left-right migration of the EBP along the surface of the spinal cord, or torqueing of it about the axial direction. These leads flex and extend as the cord moves within the spinal cord. A preferred material for the leads is a highly malleable, braided lead made of a super-alloy (MP35N/silver-core DFT wire stranded cable).

If a lead were to break, it would be better for this to occur in such a way that the repair procedure does not require that the intradural portion of the device be replaced. As shown in FIG. 15, a design feature to address this issue is to place a connector **82** on a first lead portion **81** located close to where the first lead portion exits the dura. A relay or second lead portion **82** is then used from that point to the stimulus delivery unit located in the external component **84**. The overall system is thereby configured so that, if a lead break were to occur, it would be much more likely to occur in the relay than in the intradural portion of the device.

Device Components and Commercial Distribution

A device according to this invention may be part of a system that also comprises external components: particularly a power supply, and a control unit that sends control signals to the circuitry or electrodes on the implanted device. This is shown in FIG. 15. The external component **84** may provide both a power source and electronics for controlling the electrical stimuli. There may be a microprocessor or other suitable controller that is programmed to shape the electrical stimuli into one or more particular patterns, and to regulate the frequency of an alternating current. The external component of the device may be configured to receive operator input regarding stimulus pattern selection and/or amplitude and frequency. Alternatively or in addition, the external component may also be configured to receive feedback data and to adjust the pattern and/or amplitude and frequency to improve the effect perceived by the patient.

Optionally, the circuitry controlling the stimulus supplied by the electrodes may be built into the same backing as the electrodes. Power and control signals can be provided to the circuitry and the electrodes by electrical leads that pass in and out through the dura. Alternatively, the device may have a receiving means such as an antenna through which to receive power and control signals wirelessly from an external source.

The device and technology of this invention can be used for diagnostic, therapeutic, and research purposes in human subjects, primates, and other domesticated and non-domesticated mammals. Upon determination that a patient or other subject would benefit from electrical stimulation from a device according to the invention, the clinician would first implant the device onto the spinal cord. The location may be predetermined by imaging the spine and/or doing neurological studies, and then selecting a location that would be most likely to convey the desired benefit.

For some purposes, the device may be supplied from the manufacturer in a standard size that can accommodate almost the full range of spinal cord anatomy variations encountered in patients. Alternatively, the device can be built in a plurality of different standard sizes, or may be custom manufactured for particular patients. In these circumstances, the method of installing the device would further comprise the step of determining appropriate dimensions of the patient's anatomy (such as circumference or cross-sectional shape of the spinal cord and/or the spinal canal on the dorsal side, and/or dimensions of the vertebra to which the device is to be secured).

Clinical Use

The device is implanted by conforming the arrayed electrodes to a region of the spinal cord so that the electrodes directly contact the spinal cord; and then securing the device in place. Once fixed in place, it remains after surgical closure, and maintains the electrodes in contact with the spinal cord, notwithstanding normal pulsation and mobility of the spinal cord, movement of the patient in ordinary daily activity, and movements resulting mechanical such as might result if the patient slips or falls. The affixing of the device, while robust, is preferably reversible so that the device can later be removed or repositioned if needed, while causing minimal damage to the tissues.

Once implanted, the electrode array can be used for stimulating a spinal cord of a patient. The patient may be subject or susceptible to noxious or deleterious nerve signals transmitted along the spinal cord, or otherwise requires treatment. An electrical stimulus is provided through the electrodes in the array directly to the spinal cord so as to inhibit transmission of such noxious or deleterious nerve signals.

The stimulus may be applied to inhibit sensation of pain, or to inhibit symptoms or sensory input that is undesirable or disruptive to the patient, either in the back itself, the extremities, or at another location wherein the pain is mediated at least in part by the spinal cord. Conditions suitable for treatment include back pain, leg pain, Parkinson's disease, spinal cord injury, Failed Back Surgery Syndrome, arthritic degeneration, phantom limb pain, numbness or palsy, or congestive heart failure. The stimulus may be provided to the spinal cord by the device on a constitutive basis, in response to feedback data, or it may be subject to the patient's conscious control.

The treating clinician may select any electrical stimulus that is effective in managing pain of a particular patient. The general object is to induce refractoriness of the spinal cord to transmit noxious or deleterious signals or synchronous depolarization events initiated locally. This can be adjusted empirically by determining neural activity and recording the symptoms experienced by the patient

17

Different patterns of stimulation may be effective depending on clinical circumstances. Under control of an appropriately programmed microprocessor or any other suitable type of controlled signal generator, electrodes in the array may all provide the same signal pattern, or individual or groups of electrodes may have their own signal pattern configured to work independently or in concert with signal patterns of other electrodes in the array.

Depending on the objective of the treatment and the manner in which the technology is deployed, effective pulse repetition rates or frequencies may be at very low frequencies, or above 100 Hz (pulses per second), 200 Hz, 500 Hz, 2,000 Hz, or 5,000 Hz, a frequency of about 1,000 Hz, 4,000 Hz, or 10,000 Hz, or a frequency range of about 500 to 50,000 Hz, 1,000 to 9,000 Hz, 3,000 to 8,000 Hz, 2,000 to 20,000 Hz, or 5,000 to 15,000 Hz.

The electrical potential may vary at a regular frequency in a sinusoidal or square wave form. Alternatively, the wave form may be a more complex pattern, with pulses appearing at varying intervals and intensities according to a calculated or repetitive pattern. Such patterns comprise a pulse train generating substantially continuous activation of nerves within the spinal cord, and may incorporate irregular pulse intervals, irregular pulse amplitudes, a variety of wave forms (for example, monophasic, biphasic, rectangular, sinusoidal, as well as asymmetric or irregular wave forms), or any combination thereof. The potential may create what is essentially a broad band noise, varying at stochastic or essentially random intervals and intensity under the influence of a suitable computational algorithm or automated control program in a microprocessor.

One option is to provide an electrical stimulus with a pattern having a sufficiently high frequency to inhibit sensory side effects such as paresthesia (numbness or tingling). This is described U.S. provisional application 61/592,520, to which this application claims priority

One potential benefit of this approach may be attributed to the fact that bundles of sensory axons fire randomly when not transmitting sensory stimulus. When a sensory stimulus is presented, a substantial proportion of the axons within a bundle or pathway will discharge in a synchronous fashion—firing axons potentials at about the same time. This results in the sensory input being transmitted along the axons in the bundle, so that the subject may experience the sensation.

Patients with leg and back pain may have bundles of axons spontaneously firing in a synchronous manner, instead of the normal random pattern of firing. A low frequency alternating current (50 Hz) may be effective in reducing the sensation of pain, but the stimulation may generate neurological side effects such as paresthesias (an effect that is sometimes experienced as tingling or numbness). However, a high frequency electrical stimulus (say, about 5,000 Hz) has interval spacing shorter than the refractory period of axons. By delivering electrical pulses at high frequency, the relative timing of firing by individual axons within the bundle of axons becomes nearly random, with different axons becoming excitable again at different times. Applying high frequency pulses to the spinal cord can be used to restore a state of active quiescence in the sensory nerves passing through the cord.

Treating back pain according to the invention may comprise administering an effective electronic stimulus to the spinal cord, monitoring transmission of synchronous action potential through the spinal cord or inferring the same, and then adjusting the electrical stimulus so as to further inhibit transmission through the spinal cord of synchronous action potentials.

18

The electrical stimulus may be adjusted in frequency or other waveform parameters and manner of application so as to minimize side effects such as paresthesia, and to minimize impact on transmission of essential neurological function, including motor neuron activity, and nerves involved in proprioception and kinesthesia. Optionally, the clinician or the user may be provided with an input or control means to select the pattern, adjust the frequency, and adjust the intensity in accordance with the perceived symptoms.

EXAMPLES

Example 1

Optimization of the Electrode Array Structure Using Thoracic Spine Imaging Data

An important dimensional parameter for a spinal cord stimulator array is the arc length that it subtends over the dorsal surface of the spinal cord. There are conflicting design goals. One is to make that span as long as possible, in order to maximize the number of electrodes and hence the stimulus-pattern coverage of the underlying dorsal columns. However, another is to ensure that the membrane does not make mechanical contact with the dorsal rootlets.

In this study, structural dimensions of the spinal cord at the level of the 4th through 10th thoracic vertebrae were investigated (the region in which the array would be placed when treating back and leg pain). The arc length “S” between dorsal-root entry zones (DREZ) was calculated in two ways from magnetic resonance (MR) images of the thoracic spine for 50 patients seen at the University of Iowa Hospitals and Clinics.

One axial and sagittal image from each patient was selected for analysis. The available images covered the range T4 through T10 from high-resolution MR scans of both male (ages 17 to 77 years) and female (ages 20 to 84 years) patients. The imaging studies had been ordered by clinicians to rule out pathological processes affecting the spine, and in all cases studied no pathological abnormalities were noted. All of the subjects were imaged in the supine position in a straight posture without any bending or flexing of the legs, hips or spine. Of the selected slices, 70% (n=35) were at either T7 or T8 which will be the preferred location for positioning the array in most patients. The remaining images were distributed above and below that zone to help insure a representative assessment.

With reference to FIG. 12A, the bi-lateral locations of the dorsal root entry zones, P₁ and P₃, were identified by neurosurgeons on each of the 50 axial slices, and the linear separation, A, between them was measured relative to the calibration scale bar on each image. The distance, B, between the center of that line and the dorsal-most point of the spinal cord, P₂, was also measured, as were the maximum sagittal and coronal diameters of the spinal cord (i.e., the minor and major axis diameters, respectively). The resulting data were then archived for subsequent analysis, with the primary goal being to determine the peripheral arc length, S, connecting the points P₁, P₂ and P₃.

The cross section of the spinal cord in the thoracic region is roughly oval in shape, but with an irregular circumference that departs from an ellipse. S was estimated by computing the hypotenuse to the triangle formed by A/2 and B: $S_H \approx 2 \cdot [(A/2)^2 + B^2]^{1/2}$. Because the actual arc rises just above that hypotenuse, S_H slightly underestimates S. Alternatively, with reference to FIG. 12B, S was estimated by way of the circular arc length: $S_R \approx r \cdot \theta$, where r is the estimated value of radial distance between the geometric center of the spinal cord and

the points P_1 and P_3 , and θ is the angular separation between those lines. Because the actual arc lies below the circumscribing path of S_R , this calculation slightly overestimates S .

Thus, $S_H < S < S_R$. Measurements to confirm this and establish the most likely value of S within that range can then be made directly on a magnified view of an axial image, using a flexible rule and the appropriate scaling factor to determine the distance along the span. The estimate of S , as determined across the entire patient population, can be used as a design guide for the membrane length of the patch. The value of “ r ” determined from the measured major and minor axis diameters, can then be used to establish the radius of curvature for the array membrane.

The measured values of A and B in mm were as follows: All patients ($n=50$), 5.8 ± 0.8 , 1.5 ± 0.4 ; males ($n=34$), 5.9 ± 0.8 , 1.5 ± 0.4 ; females ($n=16$), 5.5 ± 0.7 , 1.5 ± 0.4 . The relative uncertainties (standard deviation/mean) in the values of A and B across all patients was 14% and 27%, respectively. The value of A across all male patients was approximately 2% larger than the mean for all patients, and that for the female patients was approximately 5% smaller. The calculated value of $S_H = 6.5 \pm 1.2$ mm. The difference between the largest mean value of S_H (8.8 mm) and the smallest (5.1 mm) was 3.7 mm—approximately three times the size of the standard deviation (1.2 mm), indicating that this is a dimension of the neuroanatomy in which significant outliers occur.

The sagittal and coronal diameters of the spinal cord in each of the 50 axial images were 6.2 ± 0.6 mm and 8.3 ± 0.8 mm respectively. Thus, the mean radius and quadrature-sum uncertainty of the spinal cord is $r = 3.6 \pm 0.5$ mm. Upon review of other results, it seemed most conservative to take $r = 4.1$ mm to be the working value of the mean radius. Using $\theta \approx 95^\circ$, $S_R = 6.8 \pm 1.0$ mm, where the uncertainty is given by the quadrature sum of those measured for r and estimated for θ .

The calculated values of S_H and S_R were compared against physical measurements made with a flexible rule laid carefully along the dorsal arc pathway of images expanded 3-fold. The length of the dorsal arc span between the rootlet entry zones was estimated to be $S = 6.7 \pm 1.0$ mm.

Thus, if the width of an electrode array were 6.7–1.0 = 5.7 mm, then it would be a good fit to the spinal cords of at least 68% (1 σ) of the patients receiving the implant. The problem would come with the outliers at the high and low ends of the distribution of arc lengths. Providing three different widths of 8 mm, 6 mm and 4 mm would be suitable for substantially all the adult population. The largest size device would have additional electrode contacts and leads. Alternatively, custom arrays could be fabricated for individual patients using patient-specific arc length measurements.

The mean radius of the spinal cord across all patients was $r = 3.6 \pm 0.5$ mm. A nominal mean value of $r = 4.1$ mm would be suitable for curvature of the array. Opting for a slightly larger radius of curvature reduces the risk of spinal cord compression that might arise from too small a sizing.

Example 2

MR-Based Measurement of Spinal Cord Motion During Flexion of the Spine: Implications for Intradural Spinal Cord Stimulator Systems

For purposes of this study, a 1.5 T Magnetom Espree® magnet (Siemens, Erlangen, Germany) was used. Informed consent was obtained from healthy volunteers ranging in age from 23 to 58. Each volunteer was first imaged in a supine neutral position and then imaged in a maximal attainable flexed position.

To obtain the maximal flexion of the spine, patients were given three basic positioning instructions. The first was to rotate their pelvis backwards towards the gantry as far as possible to remove the lumbar lordosis and straighten the lumbar spine. The second was to curl their upper back, neck and head forward so that their shoulders were as close to their knees as possible. The third instruction was then to tuck their chin down as close to their chest as possible. While attaining this flexed position in the bore, a variety of foam wedges and pillows were used for added support so that the patient could remain as still as possible during image acquisition. Maximal flexion was limited by volunteer flexibility in 14 of the patients. In only two patients was flexion limited by MR bore size.

Each volunteer had a vitamin E capsule taped to their midline lower thoracic spine for help in level localization. A sagittal HASTE sequence was performed initially as a localizer both for vertebral level counting and identification of a more focal field of view centered over the region of lowest thoracic spinal nerves and the conus medullaris. To acquire anatomic images with enough resolution to accurately measure intervals between spinal nerve dorsal root entry zones, a CISS sequence was selected for its high spatial resolution. Although this is a highly T2-weighted sequence, acquisition time still required 2 minutes and 5 seconds. This length of time initially caused too much motion degradation during flexed imaging to make accurate measurements. The use of the pillows and foam wedges provided just enough support for volunteers to remain still for the required two minute duration. All neutral and flexed sequences were obtained using TR=4.35 ms, TE=2.18 ms, slice thickness=0.8 mm, matrix size=192x192, one acquisition per average, 192 phase encoding steps, field of view=200 mm, and a 70 degree flip angle.

FIG. 13B shows an example of a coronal image on which the relevant anatomical features are identified. Imaging was obtained in the coronal plane. Three-dimensional multiplanar reconstruction software was used on a Carestream PACS station to aid in measurement. The T10 and T11 nerve roots were identified. A cranial caudal measurement was made in a plane parallel to the spinal canal between the dorsal-root entry zones (DREZ) of T10 and T11. (The exact position of the entry zones was confirmed by assessing sequential axial images to identify the most cranial aspect of the nerve originating from the spinal cord.) As shown in FIG. 13A, the difference between this measurement on the neutral and flexed images is a measure of spinal cord contraction/expansion along the rostral-caudal axis. Next, a cranial caudal measurement was made from the DREZ of the T10 nerve root along the same plane as the prior measurement, to the level of a plane orthogonal to the spinal canal at the level of the inferior T10 pedicles. The latter were selected as a reference point of the bony canal inside of which the spinal cord moves. The difference between these measurements represents cord movement within the bony canal.

A cranial caudal measurement of the change in conus tip position was made. To accurately accomplish this, the position of the conus tip was first identified on the neutral images with reference to a landmark within the bony spinal canal at the same cranial-caudal level. This landmark was then identified on flexed imaging and a cranial caudal measurement was made from that level to the level of the new conus position. This represents movement of spinal cord within the canal.

Results were as follows. The spinal cord should move rostrally during flexion and should lie in its most caudal location when the patient is in the neutral position. The mea-

sured change in the pedicle-to-spinal cord DREZ distance across all patients between the neutral and flexion positions ranged from 1.9 mm to 18.0 mm, with a mean and standard deviation of 8.5 ± 6.0 mm. The inter-DREZ distance across all patients between the neutral and flexion positions ranged from -2.0 mm to $+6.7$ mm, with a mean and standard deviation of 3.5 ± 2.6 mm. The mean and standard deviation for the rostral-caudal conus movement was found to be 6.4 ± 4.1 mm within an overall range of 1.1 to 11.4 mm. The fractional variations in these findings (standard deviation+mean) are very large, 71%, 74% and 64% respectively. This reflects the wide variability in the capacity of individual subjects to maximally flex the spine, as well as possible inter-subject variability in spinal cord mechanical characteristics. These findings highlight the need for the device to accommodate larger patient-to-patient variations in spinal cord dynamic movement properties.

The ratio of the spinal cord's mean stretch-to-mean axial movement over a full flexion cycle was $3.5 \text{ mm}/8.5 \text{ mm} \approx 40\%$. On average across all patients, it required 1 mm of net axial displacement of the cord to stretch it 0.4 mm in length. A spinal cord stimulator device should accommodate a total rostral-caudal motion of up to ~ 2 cm of the cord/membrane relative to the fixation point, i.e., 1 cm rostral and 1 cm caudal from the neutral position.

A prototype device of the type shown in FIG. 14 (loop area $\approx 160 \text{ mm}^2$) was used to test the available range of motion. It comprises an analogue electrode bearing portion 11 without electrodes, a spring portion 12, and a securing strap 41. The prototype device was placed on a custom-designed silicone surrogate spinal cord specimen that was positioned inside an anthropomorphic spinal canal phantom (not shown). The device was able to accommodate this level of motion without lift-off of either end of the membrane when the surrogate reached the 1 cm rostral and caudal extremes of displacement.

Since there were large variations (70%) in the magnitude of that motion from patient to patient, there will be a spectrum of spinal cord strains associated with flexion-driven motion of the cord. Having suitable axial compliance within the electrode bearing portion of the device will reduce the risk of potential irritation of the pial surface in patients where the intraparenchymal strains are large. In patients with small levels of strain, there would be little relative motion between cord and the array, meaning that there would be small risk of any skidding between them. The net axial travel of the spinal cord relative to the fixation point is within the range that can be accommodated without lift-off of the electrode bearing portion of the device.

Each and every publication and patent document cited in this disclosure is hereby incorporated herein by reference in its entirety for all purposes to the same extent as if each such publication or document was specifically and individually indicated to be incorporated herein by reference.

While the invention has been described with reference to the specific embodiments, changes can be made and equivalents can be substituted to adapt to a particular context or intended use, thereby achieving benefits of the invention without departing from the scope of what is claimed.

The invention claimed is:

1. An implantable device for stimulating the spinal cord of a subject, comprising:

- (a) an electrode array comprising electrodes mounted on a backing, the array being configured to conform to the curved surface of the spinal cord;
- (b) a deformable support structure attached to the backing, configured to be implanted intradurally so as to urge the

array against the spinal cord such that electrodes of the array engage the pial surface of the spinal cord;

(c) one or more connecting member(s) attached to the support structure, configured to pass from the support structure out through the dura; and

(d) an attachment portion attached to the connecting member(s), configured for securing the connecting member(s) to a vertebra in the subject.

2. The device of claim 1, wherein the support structure comprises one or more closed flexible loops between the array and the connecting member.

3. The device of claim 2, wherein the closed flexible loops constitute or contain one or more electrical leads configured to supply electrical stimulation to the electrodes.

4. The device of claim 2, wherein the closed flexible loops are positioned so as to be oriented parallel with the spinal cord when the electrode array is in contact with the spinal cord.

5. The device of claim 2, wherein the closed flexible loops are positioned so as to be oriented at an angle traversing the spinal cord when the electrode array is in contact with the spinal cord, thereby being situated to accommodate both transverse and lateral movement of the spinal cord.

6. The device of claim 2, wherein the closed flexible loops extend horizontally beyond the electrodes on the array.

7. The device of claim 1, wherein the support structure is configured to maintain pressure of the array upon the spinal cord within a desired range while accommodating changes in position of the array relative to the vertebra that result from movement of the subject.

8. The device of claim 1, wherein the support structure includes a spring portion comprising one or more closed flexible loops joined to the connecting member(s) at one position of the loops and to the electrode array at an opposing position of the loops so as to urge the electrode array against the spinal cord.

9. The device of claim 8, wherein the closed flexible loops are configured so as to be oriented parallel with the spinal cord when the electrode array is in contact with the spinal cord.

10. The device of claim 8, wherein the closed flexible loops are configured so as to be oriented at an angle traversing the spinal cord when the electrode array is in contact with the spinal cord, thereby being in a position to buffer both transverse and lateral movement of the spinal cord.

11. The device of claim 1, wherein the support structure comprises a first flexible member that extends laterally towards and engages a left portion of the dura, and a second flexible member that extends laterally towards and engages a right portion of the dura.

12. The device of claim 1, wherein the attachment portion comprises or is configured for securing to a strap, said strap being secured to left and right lamina of said vertebra of the subject so as to bridge the lamina.

13. The device of claim 12, wherein the attachment portion comprises a strap configured to be secured to the left and right lamina of said vertebra of the subject.

14. The device of claim 13, wherein the strap is a planar mesh.

15. The device of claim 13, wherein the strap is titanium.

16. The device of claim 1, wherein the support structure includes a spring portion comprising one or more closed flexible loops between the connecting member(s) and the electrode array, and the device further comprises a cuff portion attached to the connecting member and configured to be joined with

23

the dura at or near an access site during implantation of the device into the subject, thereby closing the access site.

17. The device of claim 16, further comprising a scaffold portion between the cuff portion and the spring portion, configured so as to be positioned beneath the access site after the access site is closed.

18. The device of claim 1, wherein the connecting member(s) comprise one or more electrical leads configured to supply electrical stimulation to the electrodes from a source outside the spinal cord.

19. The device of claim 18, wherein the electrical leads comprise a first lead portion extending from the attachment portion to the support and a second lead portion extending from the attachment portion to a stimulation signal generator, wherein the first lead portion is coupled to the second lead portion at a connector having a first connector portion mounted to the attachment portion, the first lead portion configured to be more resistant to failure than the second lead portion.

20. The device of claim 1, further comprising an electrical connector at or near the position where the device exits the dura, whereby electrical leads passing from the electrodes through the connecting member(s) to the connector may be electrically and reversibly connected to a power source.

21. The device of claim 1, wherein the array has opposed ends for positioning axially along the spinal cord, and the backing extends sufficiently beyond both opposed axial ends so as to inhibit lifting of any electrodes of the array from the pial surface of the spinal cord when the array moves with spinal cord physiological movement within the spinal canal.

22. A device combination comprising an implantable device according to claim 1, and a strap structured for securing to left and right lamina of said vertebra so as to bridge the lamina, the strap being configured to receive and support the attachment portion of the device, thereby maintaining pressure of the electrode array upon the spinal cord of the subject in which the device is implanted such that the pressure is maintained within a specified range.

23. The device combination of claim 22, wherein the strap is a planar mesh.

24. The device combination of claim 22, wherein the strap is titanium.

25. An apparatus configured to receive and install an implantable device according to claim 1 in the subject at a position wherefrom pain experienced by the subject can be relieved, the apparatus comprising:

- (1) a holding member configured to receive and reversibly secure the implantable device while it is being implanted into the subject, and
- (2) a retractable measuring rod configured so that the spring portion or support structure of the device can be positioned and installed at a measured distance away from the spinal cord in the subject such that the electrode array is urged upon the spinal cord within a desired pressure range.

26. A combination for use in treating pain in the subject, comprising an implantable device according to claim 1, and an installing apparatus comprising:

- (1) a holding member configured to receive and reversibly secure the implantable device while it is being implanted into the subject, and
- (2) a retractable measuring rod configured so that the spring portion or support structure of the device can be positioned and installed at a measured distance away

24

from the spinal cord in the subject such that the electrode array is urged upon the spinal cord within a desired pressure range.

27. A method of securing the device according to claim 1 to said vertebra in the subject so that the electrode array is in contact with the spinal cord, comprising:

- (a) creating an incision in the dura over the dorsal aspect of the spinal canal of the subject;
- (b) positioning the electrode array over the dorsal aspect of the spinal cord at a location that is essentially symmetrical between the left and right dorsal root entry zones;
- (c) lowering the support structure towards the spinal cord so as to compress the support structure and engage the electrodes with the spinal cord within a desired pressure range;
- (d) closing the incision around the connecting members; and
- (e) securing the attachment portion to the vertebra.

28. The method of claim 27, comprising loading the device on an installing apparatus that includes:

- (1) a holding member configured to receive and reversibly secure the implantable device while it is being implanted into the subject, and
- (2) a retractable measuring rod configured so that the spring portion or support structure of the device can be positioned and installed at a measured distance away from the spinal cord in the subject such that the electrode array is urged upon the spinal cord within a desired pressure range,

then positioning and lowering the device onto the spinal cord by manipulating the apparatus, detaching and removing the apparatus from the device following step (e), and closing the incision around the connecting members once the apparatus has been removed.

29. A method of implanting the device of claim 1 onto the spinal cord of the subject, comprising:

- (a) conforming the electrode array to a region of the spinal cord so that the electrodes directly contact the pial surface of the spinal cord; and
- (b) engaging the support structure so as to urge the array downwards towards the spinal cord, thereby maintaining contact of the electrodes in the array on the spinal cord.

30. A method of implanting the device of claim 1 onto the spinal cord of the subject, comprising:

- (a) incising the dura over a dorsal aspect of the spinal canal of the subject;
- (b) compressing the support structure;
- (c) positioning the compressed device such that the electrode array engages a region of the spinal cord that was exposed in step (a);
- (d) allowing the device to expand so that it engages the dura wherefrom the array is urged towards the spinal cord; and
- (e) closing the dura.

31. A method for stimulating the spinal cord in the subject after being implanted with the device of claim 1 such that the electrodes of the array engage the pial surface of the spinal cord and are secured in position by way of the support structure,

the method comprising delivering an electrical stimulus to the spinal cord by way of the implanted device so as to inhibit sensation of pain by the subject.

32. The device of claim 1, wherein the backing of the array further comprises semi-rigid extensions in rostral and/or caudal directions that increase surface area of the backing in contact with the spinal cord.

33. The device of claim 1, configured so as to accommodate a total rostral-caudal motion of 2 cm without lift-off of either end of the backing.

* * * * *